



 GAZCO

  
electric fires

Homebuilding  
& Renovating  
**AWARDS**  
2021

**WINNER**  
Heating & Plumbing  
Supplier of the Year

★★★★★





*eStudio 135R with optional Silver Birch log-effect. Shown with optional Mood Lighting Kit.*

**Cover:** *eStudio 135R with log-effect. Shown with optional Mood Lighting Kit.*



# instant ambience

Mesmerising flame visuals. Ultra-realistic, hand detailed log-effects. Atmospheric mood lighting. The eStudio collection brings all this and more to your living room at the touch of a button.

Offered in three sizes, these innovative electric fires feature a versatile design to fit almost any setting.



# experience **immersion**

The eStudio's flame and ember bed visuals are created with your choice of highly-realistic glowing log-effects, brought to life with our signature Chromalight Immersive LED Systems®. And with a palette of lighting combinations to choose from, you have the freedom to design your own display, whenever you want.



## Ultra-realistic glowing log and ember effects

The eStudio's remarkably realistic fuel effects are the result of our decades of experience working with real woodburning stoves and fires.

**A choice of true-to-life, glowing logs** - For the utmost realism, sections of the log-effects glow when the fire's Chromalight flames and ember bed are activated, just like real burning logs. All eStudio sizes come with a hand detailed log-effect. For something a little different, our optional Silver Birch log-effect creates an alternative but equally captivating display.

**Dynamic ember effects** - To create the illusion of real embers, the eStudio's fuel bed is made up of blackened glass media, dusted with a realistic ash-like coating. When lit from below by the eStudio's Chromalight systems, the fuel bed's media glows and darkens in different areas, seemingly at random, for a 'living' ember look.



*Optional Silver Birch log-effect.  
(Standard log-effect shown left).*

## Enchanting flame visuals

Flame effects can be customised to suit your mood, with three different combinations of varying tones and five intensity settings. Choose from a vibrant flame picture that casts a rich glow over a darkened room, or opt for some background ambience - great for when you're watching a movie.

## Immersive ember bed up-lighting



*13 fuel bed lighting colours*

The eStudio's Chromalight up-lighting system shines through the fire's fuel bed and illuminates the log-effects from below. In addition to a natural amber glow, the ember bed up-lighting can be set to a range of different colours to create a bespoke display. There is also the gradually changing Spectrum mode, which transitions through each colour.



## Enjoyment - with or without the heat

The eStudio features a 2kW thermostatic heating system, which can be programmed to warm your living room to a pre-set temperature. This 'set and forget' heating function lets you enjoy your eStudio's visuals whilst the fire manages the heat. You can also turn off the heating system completely and enjoy the eStudio's flame and lighting effects without any heat at all, if desired.

## Optional atmospheric mood lighting

Upgrade your eStudio with the versatile LED Mood Lighting System, to maximise your fire's ambience. eStudio fires can connect to up to 6 metres of LED strips that can be positioned around the fire, under shelves, or even around a TV to provide atmospheric mood lighting. The LED Mood Lighting System can be set to the same 13 vibrant Chromalight colours of the eStudio's fuel bed, and is easily controlled with the fire's Eco handset.

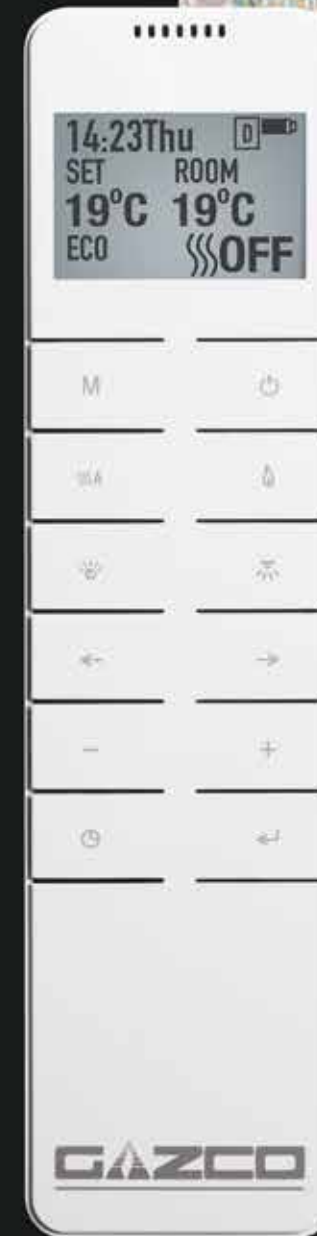


*LED Mood Lighting System*

# complete control

For quick and convenient control, this advanced electric fire comes with our Thermostatic Eco handset. This easy-to-use remote control puts the eStudio's range of visual effects including flames, up-lighting and also the optional Mood Lighting System at your fingertips.

Featuring a thermostatic sensor, the eStudio's Eco handset also gives you the freedom to set your desired ambient room temperature as well as program daily and weekly heating schedules.





- **thermostatic heating**

Select the optimum room temperature you desire and your eStudio does the rest for you. Choose between 15°C and 25°C and the eStudio will utilise its thermostat to reach the desired level as efficiently as possible.

- **flame design**

Select Amber with Yellow accent, Yellow with Amber accent or an equal measure of both colours to suit your mood, with five brightness settings for each flame colour combination to give you the perfect ambience.

- **chromalight ember bed up-lighting**

Choose from 13 different vibrant colours, which can each be fine-tuned with five brightness levels, to illuminate the eStudio's realistic fuel bed. Alternatively, you can opt for the gradually changing Spectrum mode, which cycles through each colour.

- **adaptive start control**

Adaptive Start allows the eStudio to automatically turn on up to 45 minutes in advance of a pre-set time to reach the desired room temperature ready for when you want to use it.

- **heating advance mode**

You can manually advance any pre-set heating cycle to either come on or turn off before the programmed time without disrupting daily or weekly scheduling.

- **comfort temperature**

Comfort Temperature lets you set the thermostat as you would your central heating, with Eco and Comfort settings, which offer further freedom to adjust the temperature by +/- 4°C if desired.

- **daily and weekly programming**

Set the eStudio to turn on to provide heat at certain times of the day, or even days of the week, using the handset's Daily and Weekly Timer control functions.

- **open window detection**

A sudden drop of temperature of 4°C or more within five minutes, like that caused by an open window, will automatically turn off the eStudio's heat to save energy. Heating can easily be resumed simply by pressing the heat button, or allowing the room's temperature to rise by closing the window.

- **optional LED mood lighting setting**

Easily control the eStudio's optional LED Mood Lighting System using the fire's Eco Handset. Cycle through the 13 different colours to choose the ambience you desire, either matching the eStudio's Chromalight ember bed colour or selecting a different colour for an eye-catching combination.

- **ecodesign compliant**

The eStudio's innovative energy saving features make it compliant with stringent Ecodesign energy product standards.

complete  
**peace  
of mind**



**WIN** the cost of your  
product back!

By registering your eStudio online for your free  
extended warranty. See page 22 for more details.



## the gazco pedigree

When you choose Gazco, quality and technology are assured. From contemporary hang on the wall fires to traditional stoves, Gazco are committed to creating the ultimate in flame effect fires. Our research and development laboratories are amongst the most advanced in the industry, ensuring that the very latest innovations are incorporated into our products.

Gazco is part of the Stovax Group who offer a prestigious product range, which includes everything from the traditional to the ultra-contemporary in a wide array of styles and sizes. Whether your choice is solid fuel, gas, or electric you can be sure to find a stove or fireplace from our range to add the perfect warmth and character to your home. Full details of the Stovax Group's range of products can be found at:

[www.stovax.com](http://www.stovax.com)

Gazco is an ISO9001 and ISO14001 accredited company. Our rigorous quality control system ensures that all our appliances are safety checked and that they comply with the appropriate regulations, with all fires in this brochure bearing the UKCA & CE marks. Similarly, our environmental management systems ensure we work in a sustainable manner, whilst endeavouring to protect the environment by minimising any possible impact from our operations.



## experience the eStudio

To truly experience the eStudio's realistic flame and enchanting lighting effects, view our showcase video online.



[View the Video](http://www.gazco.com/eStudio)  
[www.gazco.com/eStudio](http://www.gazco.com/eStudio)



## expert retailer network

We take great care to ensure that our fires are designed, tested and manufactured to the highest possible quality and safety standards. We are just as concerned to make certain that they are sold and installed correctly so that you will enjoy years of pleasure from your purchase.

Accordingly, you will find our eStudio range is exclusively available from our experienced, independent retailers' showrooms. They will be happy to show you a selection of models in your local showroom and answer any questions you might have. These independent retailers will discuss your individual requirements covering both technical issues and design, to ensure that you select the most appropriate product for your home. They will also be able to advise on, or assist with, the installation process as well as help provide any after-sales support and servicing your appliance may require in the future.

Whilst we encourage our retailers to promote fireplace products and their outlets via the internet, we do not believe suitable levels of customer care and satisfaction can be obtained from purchasing the product only online. We would strongly recommend that you consider this when undertaking your research and making a purchasing decision. Furthermore, please be aware that we do not offer technical support (beyond our statutory responsibilities) to products bought via nationwide online sales, where this support would normally be offered by one of our qualified, independent retailers.

In addition, Gazco fires purchased from within our Expert Retailer Network will have the additional benefit of an extended warranty period, subject to terms and conditions. Full details can be found at: [www.gazco.com](http://www.gazco.com)

## warranty information

Your Gazco retailer will provide you with a Two Year Warranty for your new electric fire providing it is registered with Gazco. Please note this warranty excludes certain consumable parts. Fires purchased outside of Gazco's Expert Retailer Network will carry a standard One Year Non-Extendable Warranty. Full warranty details, terms and conditions are available at: [www.gazco.com](http://www.gazco.com)



## find and support your local retailer

You can find your nearest retailer by visiting: [www.gazco.com/retailers](http://www.gazco.com/retailers)



# key features & sizes

The eStudio collection consists of three versatile inset fire sizes, giving you a range of options to suit your living space. Thanks to their design, eStudios have a slimmer depth than many other electric fires. This design feature makes them suitable for a variety of installation applications, particularly where floor space is limited.

## key features

- Chromalight Immersive LED System
- Three different flame options: Amber & Yellow, Amber with Yellow accent, Yellow with Amber accent
- Life-like, glowing ember bed
- 13 fuel bed lighting colours and Spectrum Mode
- Log or optional Silver Birch ultra-realistic glowing fuel-effects
- Programmable Thermostatic Eco Remote Control
- Up to 2kW programmable heating
- Ecodesign Energy Saving Features
- Optional Mood Lighting System



### eStudio 85R



Dimensions\*: 840 x 331mm (WxH)

### eStudio 105R



Dimensions\*: 1037 x 331mm (WxH)

### eStudio 135R



Dimensions\*: 1337 x 331mm (WxH)

\* Dimensions given are those overall visible upon installation. For more detailed technical information, please see page 18.



Will your eStudio be part of a media wall?  
See our fire and TV size guide on page 19.

# eStudio 85R

- Chromalight Immersive LED system
- Three different flame options: Amber & Yellow, Amber with Yellow accent, Yellow with Amber accent
- Life-like, glowing ember bed
- 13 fuel bed lighting colours and Spectrum Mode
- Flames and fuel effect lighting can be enjoyed without the heat
- Log or optional Silver Birch ultra-realistic glowing fuel-effects
- Programmable Thermostatic Eco Remote Control
- Up to 2kW programmable heating
- Optional Mood Lighting System



eStudio 85R with log-effect

#### Dimensions\*

840 x 331mm (WxH)



#### View the Video

at: [www.gazco.com/eStudio](http://www.gazco.com/eStudio)

\* Dimensions given are those overall visible upon installation. For more detailed technical information, please see page 18.

See back cover for additional image.







# eStudio 105R

- Chromalight Immersive LED system
- Three different flame options: Amber & Yellow, Amber with Yellow accent, Yellow with Amber accent
- Life-like, glowing ember bed
- 13 fuel bed lighting colours and Spectrum Mode
- Flames and fuel effect lighting can be enjoyed without the heat
- Log or optional Silver Birch ultra-realistic glowing fuel-effects
- Programmable Thermostatic Eco Remote Control
- Up to 2kW programmable heating
- Optional Mood Lighting System



*eStudio 105R with optional Silver Birch log-effect. Shown with optional Mood Lighting Kit.*

#### Dimensions

1037 x 331mm (WxH)



#### View the Video

at: [www.gazco.com/eStudio](http://www.gazco.com/eStudio)

Dimensions given are those overall visible upon installation. For more detailed technical information, please see page 18.

See pages 8 & 19 for additional images.

# eStudio 135R

- Chromalight Immersive LED system
- Three different flame options: Amber & Yellow, Amber with Yellow accent, Yellow with Amber accent
- Life-like, glowing ember bed
- 13 fuel bed lighting colours and Spectrum Mode
- Flames and fuel effect lighting can be enjoyed without the heat
- Log or optional Silver Birch ultra-realistic glowing fuel-effects
- Programmable Thermostatic Eco Remote Control
- Up to 2kW programmable heating
- Optional Mood Lighting System



*eStudio 135R with optional Silver Birch log-effect*

#### Dimensions

1337 x 331mm (WxH)



#### View the Video

at: [www.gazco.com/eStudio](http://www.gazco.com/eStudio)

Dimensions given are those overall visible upon installation. For more detailed technical information, please see page 18.

See pages 2, 7, 11, 18 & 23 for additional images.







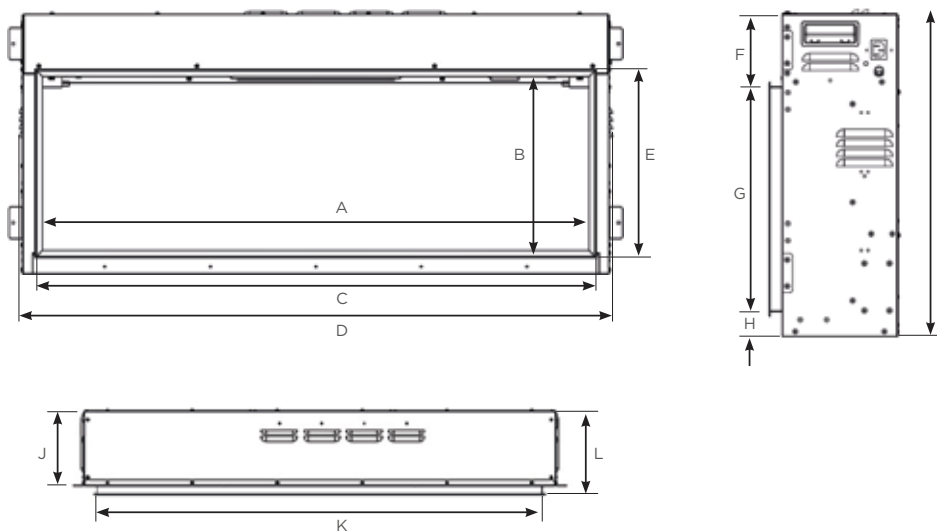
eStudio 135R with log-effect. Shown with optional Mood Lighting Kit.

# technical information

Product Code	Description	Flame Viewing Area (w x h)	Heat Output
223-417	eStudio 85R	840 x 331mm	Up to 2.00kW
223-439	eStudio 105R	1037 x 331mm	Up to 2.00kW
223-465	eStudio 135R	1337 x 331mm	Up to 2.00kW

## eStudio dimensions

All dimensions in mm



	A	B	C	D	E	F	G	H	I	J	K	L
eStudio 85R Electric Fire	840	331	862	921	356	111	340	39	500	173	848	194
eStudio 105R Electric Fire	1037	331	1059	1120	356	111	340	39	500	173	1048	194
eStudio 135R Electric Fire	1337	331	1359	1420	356	111	340	39	500	173	1348	194



## eStudio options

	Product Code
eStudio 85R Silver Birch Log Set	<b>923-803</b>
eStudio 105R Silver Birch Log Set	<b>923-816</b>
eStudio 135R Silver Birch Log Set	<b>923-822</b>
LED Mood Lighting Kit*	<b>923-835</b>

\* The optional LED Mood Lighting Kit contains a 3 metre LED strip with splitters and connector. Two kits can be combined to provide up to 6 metres of LED strips per eStudio fire.

The above information is to assist in your choice of a suitable Gazco Electric fire. It is not intended to be all the information required to install your fire. This can be obtained from your local Gazco retailer or you can download the full installation instructions from the Gazco website at [www.gazco.com](http://www.gazco.com).

# eStudio fire & TV size guide

Thanks to their slimmer depth, eStudio fires make an excellent choice for installations with a TV above or as part of a media wall. This guide can help you understand how different eStudio fires look in relation to popular TV sizes, when they are hung on the wall.



*eStudio 105R with optional Silver Birch log-effect. Shown with optional Mood Lighting Kit.*

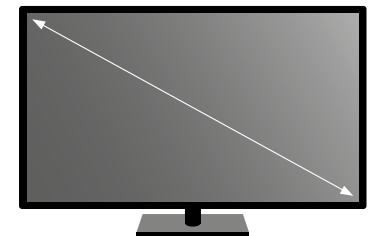
## Suggested eStudio and TV size combinations

Product	TV size*
eStudio 85R	32" - 43"
eStudio 105R	43" - 55"
eStudio 135R	50" - 65"

\*TV sizes refer to the standard diagonal screen dimension that TV manufacturers refer to when describing the size of their products. If sizing your existing flat screen TV, measure diagonally from the top left of the screen to the bottom right to find the TV's advertised size. We also recommend measuring the width and height of your TV if lining it up with the eStudio below.

## Sizing your eStudio and TV

The sizes of your eStudio and TV will come down to the space you have available and your personal preference on whether your fire or TV should be larger. Actual TV sizes vary across manufacturers, and the way your TV is fitted (for example into a cavity recess) will also impact the way it looks in relation to your eStudio fire. Your retailer will often be able to help you size up your eStudio and TV to achieve the perfect look.



# onyx

## Avanti Electric Fires



Remote and App Control



chromalight<sup>®</sup>  
plus



Avanti 150RW with Split Oak Log-effect, installed as a single-sided fire. Shown with optional Mood Lighting System.

In addition to the eStudio range, the Stovax Heating Group also includes the extraordinary Avanti electric range from our Onyx brand.

Delivering the ultimate in electric fire innovation, the Avanti's Chromalight<sup>®</sup> Plus systems employ layer upon layer of visual technology to weave a palette of captivating flame and lighting effects, with each effect highly customisable. Crisp flame visuals appear to dance and soar between true-to-life log effects, dynamically lit from all angles for absolute immersion.

For more information on the full Avanti electric range, please contact your local retailer or view and download the full brochure at: [www.onyxfires.com](http://www.onyxfires.com).





View  
the   
Video

or visit our website:  
[onyxfires.com/avanti](https://onyxfires.com/avanti)

# Gazco Electric Stoves

Gazco also offers a number of stylish electric stove ranges built with the same premium materials as our woodburning and gas stove ranges. Whether you want to achieve a contemporary look or traditional interior, Gazco has the perfect solution whatever your style or budget.



For more information on the full range or other Gazco products, please contact your local retailer or visit: [www.gazco.com](http://www.gazco.com)

*Electric Huntingdon 20 with Tracery Door.  
Inset Image: Electric Vogue Midi T Midline*

# WIN

the cost of your product back!\*



"I'm beyond happy with it"

For further home inspiration you can **view real life installations** at our Customer Showcase page and share your thoughts and photos of your new stove or fire installation to enter our draw!

- We will publish your entry on our Customer Showcase
- You will be entered into a draw for the chance to win the cost of your product back
- **Gain a second entry** by registering your product online for your free extended warranty: [gazco.com/registration](http://gazco.com/registration)



*Instagram - the\_monochrome\_stylist*

"It's so easy to start up, with a press of a button!"



"I love how sleek it looks"



"I knew as soon as I saw it that was the one for our living room"

View real life installations and submit your review at [gazco.com/customershowcase](http://gazco.com/customershowcase)

\* Terms and conditions apply. See online for details





eStudio 85R with log-effect



Gazco Limited, Osprey Road, Sowton Industrial Estate, Exeter, Devon, England EX2 7JG

**Trade Sales**

Tel: 01392 261999 / NI: 01392 261990

Email: [info@gazco.com](mailto:info@gazco.com) / NI: [northernireland@gazco.com](mailto:northernireland@gazco.com)

**Export Sales**

Tel: +44 1392 261990 • Email: [exportsales@gazco.com](mailto:exportsales@gazco.com)

[gazco.com](http://gazco.com)



**Gazco gratefully acknowledges the assistance of the following companies with photographic settings:**

- [www.johnlewis.com](http://www.johnlewis.com); [www.originalstyle.com](http://www.originalstyle.com); [www.furniturevillage.com](http://www.furniturevillage.com);
- [www.lpdfurniture.co.uk](http://www.lpdfurniture.co.uk); [www.sofarooms.co.uk](http://www.sofarooms.co.uk); [www.nkuku.com](http://www.nkuku.com);
- [www.habitat.co.uk](http://www.habitat.co.uk); [www.amtico.com](http://www.amtico.com); [www.graceandgloryhome.co.uk](http://www.graceandgloryhome.co.uk);
- [www.loaf.com](http://www.loaf.com); [www.theorangetree.co.uk](http://www.theorangetree.co.uk); [www.mokodirect.com](http://www.mokodirect.com);
- [www.tomraffield.com](http://www.tomraffield.com); [www.industville.co.uk](http://www.industville.co.uk); [www.houseoffraser.co.uk](http://www.houseoffraser.co.uk);
- [www.amoslighting.co.uk](http://www.amoslighting.co.uk); [www.opiesuk.co.uk](http://www.opiesuk.co.uk); [www.oliverbonas.com](http://www.oliverbonas.com);
- [www.chunkymonkeyfurniture.co.uk](http://www.chunkymonkeyfurniture.co.uk); [www.desenio.com](http://www.desenio.com);
- [www.wallsandfloors.com](http://www.wallsandfloors.com)

Find your nearest retailer by visiting:  
[www.gazco.com/retailers](http://www.gazco.com/retailers)



Your Gazco Retailer:

GZESTUDIO0821

