

RAIS[®] GAS





PERFECT EVERYDAY FIREPLACE COMFORT - THE EASY WAY!

Many people are still unaware that they can have a convenient beautiful fire using gas. But every day, more and more people learn that they can ...

Aside from the high level of convenience gas fireplaces bring, the combustion is also clean and efficient. All of RAIS' inserts and free-standing fireplaces – which does, of course, include gas fireplaces – comply with high technical standards and are designed to a high specification. Our brochure will hopefully give you lots of inspiration!

It contains a series of examples showing you all of the interior design options available with gas fireplaces. They can be connected to gas cylinders, natural gas and town gas. In many cases, you do not require an actual chimney - just a flue system.



ABOUT CHOOSING A MODEL...

Where in your home would you enjoy the fireplace the most?

Where could you install a flue pipe?

Or where should the gas come from?

Should it be free-standing or built-in?

What colour and shape would work best?

The choice is all yours! Why not allow this brochure to inspire you!

You can also experiment with designs, styles and colours using our customizer at www.rais.com.

CONTENTS

GAS FIREPLACE INSERTS	06
Visio front models	08
Visio corner models	11
Visio three-sided models	15
Visio tunnel models	18
Visio room dividers	23
FREE-STANDING GAS FIREPLACES	24
Nexo Gas	27
Viva L Gas	30
Q-Tee 2 Gas	36
Q-Tee 2 C Gas	37
ACCESSORIES	40
SPECIFICATIONS	42





A BLAZING FIRE AND GENUINE FIREPLACE COMFORT

It could not be simpler: click a button and light a fire! And in no time whatsoever, you too could enjoy the blazing flames and heat from a gas fireplace.

Using the remote control or the app on your phone or another device, it is extremely easy to use the fireplace. You can turn the heat on or off, or turn it up or down. You can also pre-set the fireplace so that the heat comes on at a certain time.

The fire is arranged over Ceramic Embers, creating beautiful and varied flames, which are enhanced by the adjustable built-in LED lights, as well as reflections from Glass stones.



GAS FIREPLACE INSERTS - SIMPLE, ELEGANT AND SPACE-SAVING

When you integrate your gas fireplace by choosing to have a gas fireplace insert, you get to create a simple and streamlined solution that perfectly matches your home. RAIS offer a wide range of fireplace inserts, with the option to choose from many models with glass on one, two or three sides, in different shapes and sizes.

Your local dealer or architect can help you
find the perfect style and model.



FRONT MODELS



RAIS VISIO 70 F
70/43 F



RAIS VISIO 90 F
90/55 F



RAIS VISIO 160 F
160/45 F



LEFT CORNER MODELS



RAIS VISIO 70 LC
70/43/39 LC



RAIS VISIO 90 LC
90/55/39 LC



RAIS VISIO 160 LC
160/45/32 LC



RIGHT CORNER MODELS



RAIS VISIO 70 RC
70/43/39 RC



RAIS VISIO 90 RC
90/55/39 RC



RAIS VISIO 160 RC
160/45/32 RC



THREE-SIDED MODELS



RAIS VISIO 70 3S
70/43/39 3S



RAIS VISIO 90 3S
90/55/39 3S



RAIS VISIO 160 3S
160/45/32 3S



ROOM DIVIDER MODELS



RAIS VISIO 70 RD
43/49/65 RD



RAIS VISIO 90 RD
40/55/90 RD



TUNNEL MODELS



RAIS VISIO 70 T
43/49/65 T

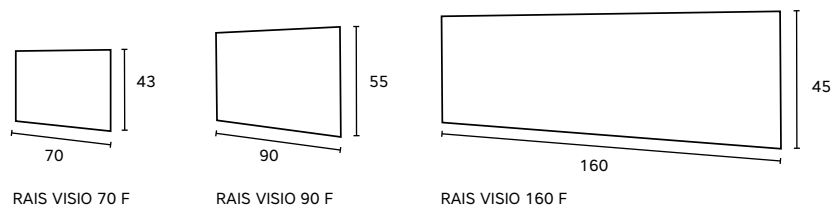


RAIS VISIO 90 T
40/55/90 T



FRONT

Fireplace inserts with a single glass front, available in several sizes.
Simply choose the model that is best for your home.



RAIS VISIO 160 F





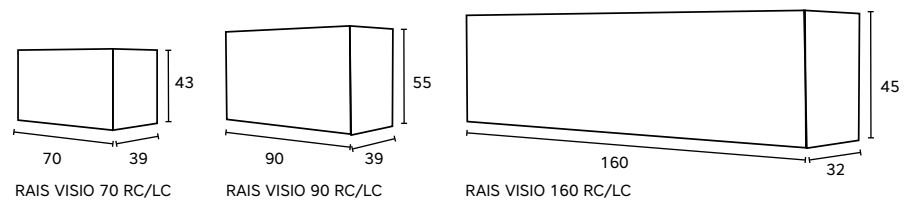
RAIS VISIO 90 LC



RAIS VISIO 90 RC

CORNER

When you choose a corner model fireplace insert, the fire can be enjoyed from several different angles in the room.
 Corner models are available as left or right versions.







A VISION IN SKAGEN

See how elegantly the super simple Visio 70 RD blends into this house in Skagen, Denmark, with the typical hues of traditional Skagen houses seen from outside and simplicity and modern art inside.

The model shown here acts as a room divider, ensuring ample heat on different sides.





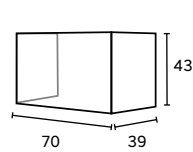
RAIS VISIO 90 3S



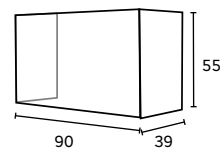
THREE-SIDED

Fireplace inserts with glass on three sides enhance the powerful fire profile in the room, allowing you to design the interior of your home just the way you want it.

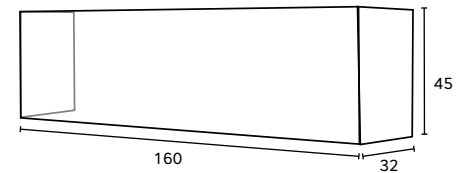
Available in three sizes.



RAIS VISIO 70 3S



RAIS VISIO 90 3S



RAIS VISIO 160 3S



TIME TO TAKE IT EASY...

With a gas fireplace, your fire will be ready in a split second, giving you more time for 'hygge' rest and relaxation. As you can see, the fireplace has clean lines and a convection grate – reassurance for you that the finer details have been taken care of.

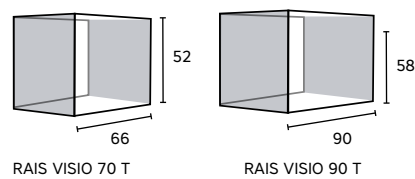






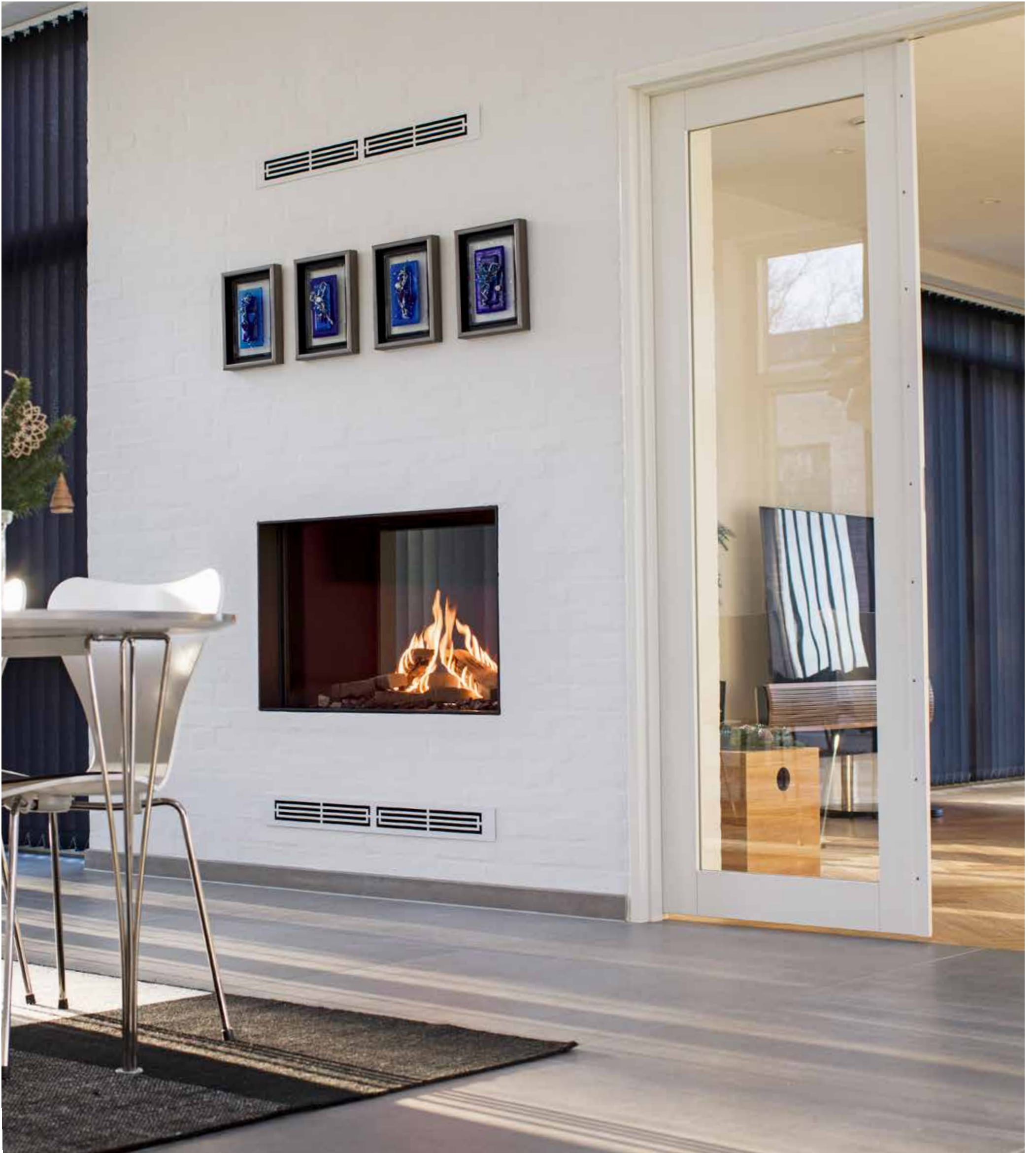
TUNNEL

A tunnel model lets you enjoy the fire on both sides of the fireplace.
You can also look through the fire and see the rest of the room.
Available in two sizes.



RAIS VISIO 90 T







DETAILS MATTER...

In the interior design of this home, you can see that extra consideration has been given to the details.

A very narrow frame has been chosen for the fireplace, with the convection grate matching the wall in colour and the fireplace in width.

A harmonious mix!

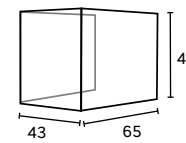




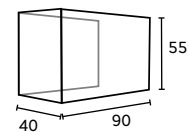


ROOM DIVIDERS

Use a RAIS Visio as an architectural element and elegant room divider in your home – and enjoy the beautiful comfort and pleasure of the fire from different angles.
Available in two sizes.



RAIS VISIO 70 RD



RAIS VISIO 90 RD



ADD ELEGANCE TO A ROOM WITH A FREE-STANDING GAS FIREPLACE

When a gas fireplace is positioned on the floor in a room, it becomes a stylish design element in the home. Shape. Colour. Style.

You experience the gas fireplace differently as you move around the room – with or without the fire lit.

Morning, noon, afternoon and night. The gas fireplace becomes a dynamic element in the room, enriching your interior design.

A free-standing gas fireplace is more than just a detail in a home.

Your local dealer or architect can help you find the perfect solution and model.



RAIS NEXO G



RAIS VIVA L G

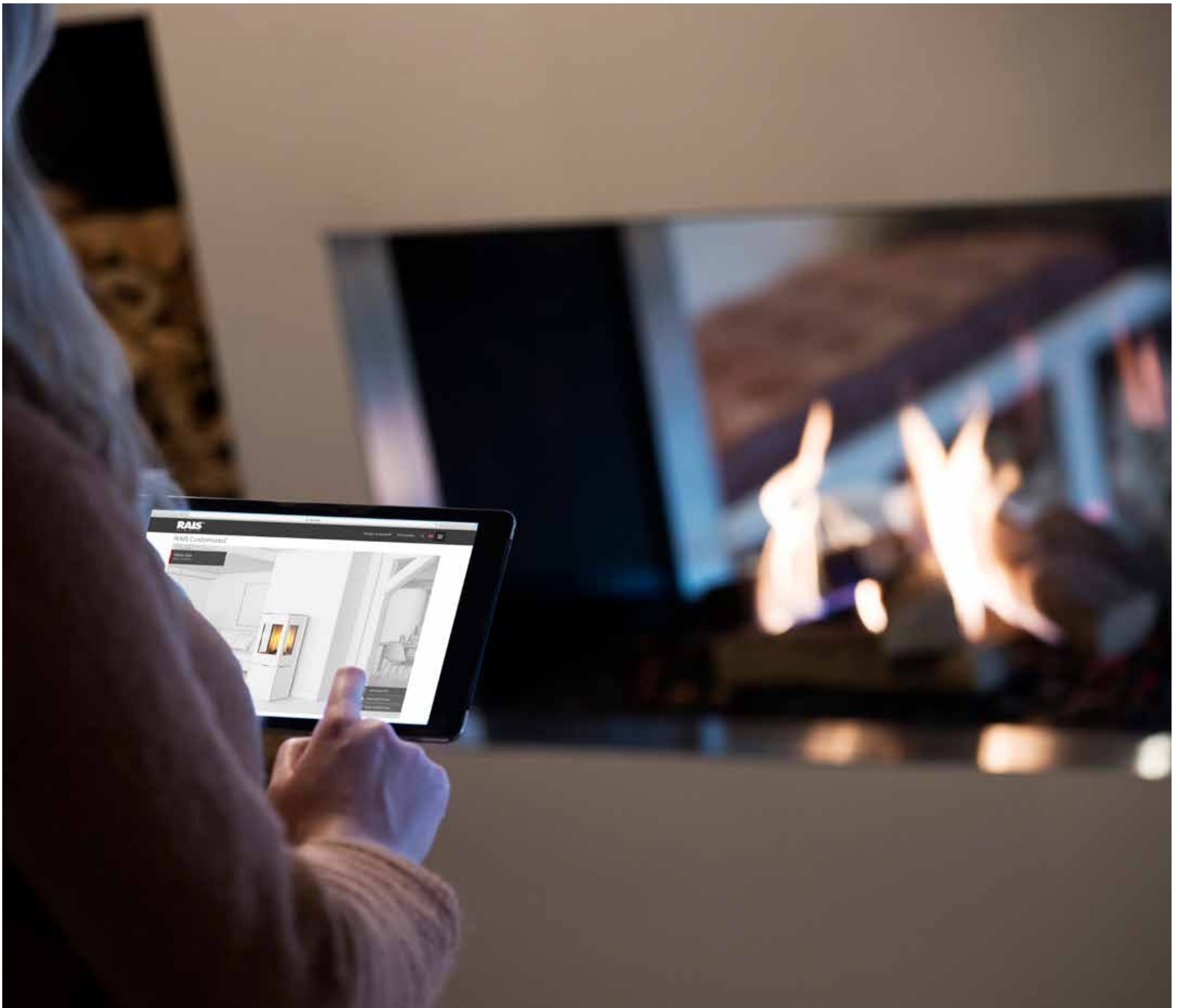


RAIS Q-TEE 2 G



RAIS Q-TEE 2 C G





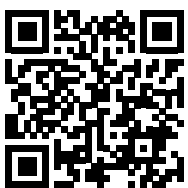
CUSTOMIZER

Using RAIS' customizer, you yourself get to adapt the appearance of the fireplace to your own tastes and what looks best in your home.

You can choose the height of the fireplace, for instance, and get the tone right by selecting from a series of shades. There are a number of other details available too, depending on the model of the fireplace.

You get a gas fireplace of your very own, in other words.

You can find the customizer on our website.



RAIS NEXO 100 G



RAIS NEXO GAS

Cubism with a capital C.

Sharp right angles. The ultimate simple design for your home, all with clean lines.

The vividly large windows allow you to see all the fire. The gas fireplace is available in five heights, from 100–185 cm. You can use the customizer on our website to try out all the options before choosing colours and details.

Nexo is also available as a wood-burning stove.

Customized



NEXO GAS 100

120

140

160

185



RAIS NEXO 120 G



RAIS NEXO 140 G

Sharp, clean lines. Created for the modern home and its stylistically pure architecture. A good match for simplicity and large window sections. You can make selections for the colour, handle, height and more in each case. This is most certainly a super-modern fireplace – not least when it comes to quality, combustion and the environment.



RAIS NEXO 185 G



RAIS NEXO 160 G

With Nexo, it is your preferences and choices that are reflected in the role it plays as a feature in the room. Head to our website to try out our customizer!



RAIS VIVA L GAS

This beautiful circular gas fireplace is available in three heights: 100, 120 and 160 cm.

Notice the large curved glass window, which allows the fire to mesmerise and comfort you.

A stylish comfort giver. Viva L is an ultra-modern gas fireplace with a design that has evolved from the classic wood-burning stove.

Use the customizer on our website and discover all of the options you can choose from, including colour, number of windows and a large number of details.

Viva L is also available as a wood-burning stove.

Customized



VIVA L GAS 100

120

160

RAIS VIVA L 120 G



Stunning installation of a Staffordshire (UK) home



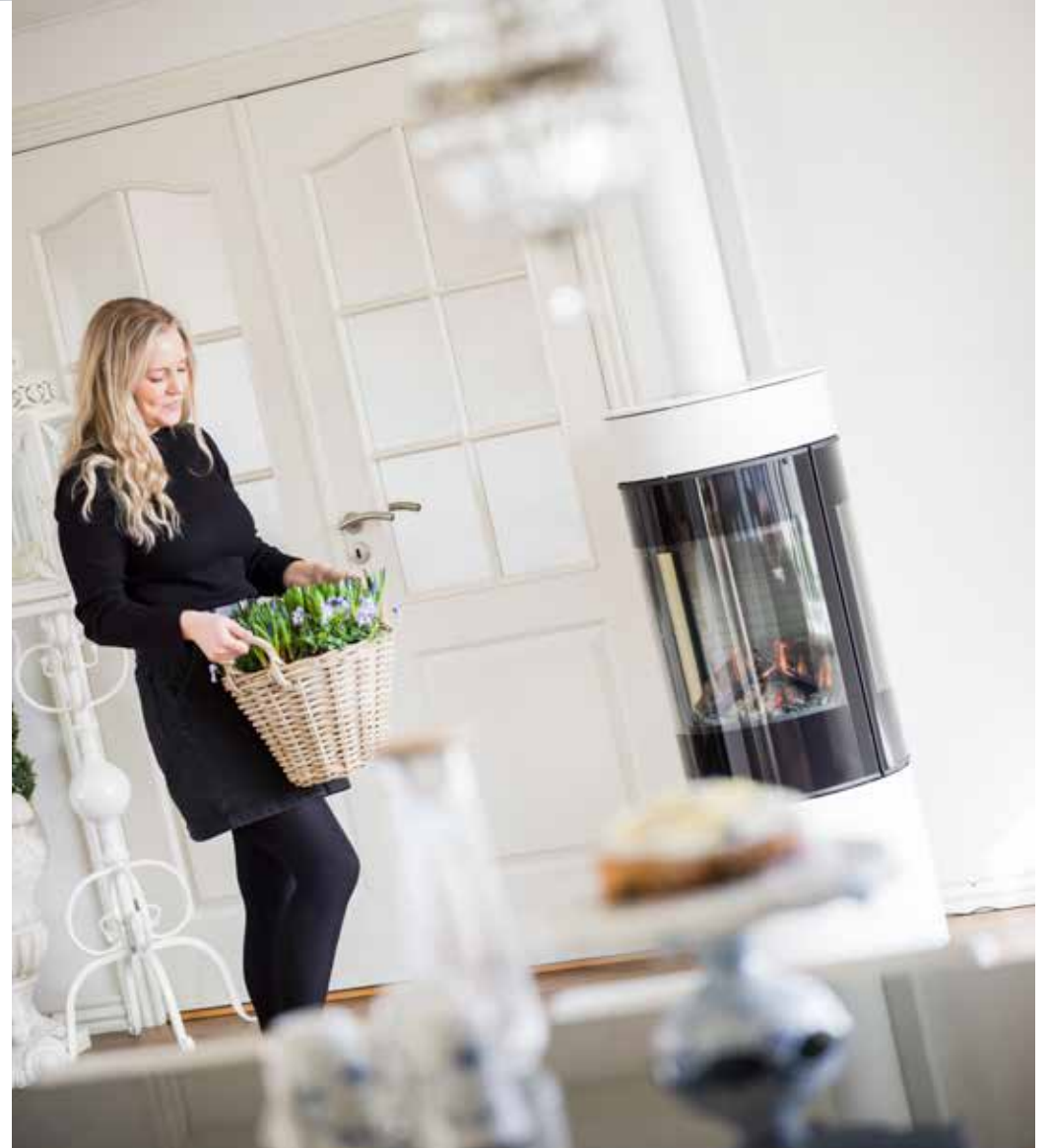


A REAL EYE-CATCHER

Would you normally associate the word 'beautiful' with a gas fireplace?

This harmonious circular gas fireplace would make you think so – it really catches the eye as a free-standing central design element in the room.

Take how the glass front matches the shape of the fireplace, for example, together with the two sides of glass. Adding finesse is the exhaust pipe, which is exactly the same shade as the fireplace.



RAIS VIVA L 100 G







RAIS Q-TEE 2 G

Q-TEE 2 Gas exudes exclusive cubic design and a slightly understated elegance.

It is available with a base or legs in different heights.

Q-TEE 2 is also available as a wood-burning stove.

Customized



Q-TEE 2 G BASIC

LEGS

LEGS

BASE

BASE



RAIS Q-TEE 2 C G

This gas fireplace has a beautiful and rounded shape and a large, curved glass door.

Available with a base or legs, different colours and design details. Create your own personal look – head to our website and try out the customizer!

Q-TEE 2 C is also available as a wood-burning stove.

Customized



Q-TEE 2 C G

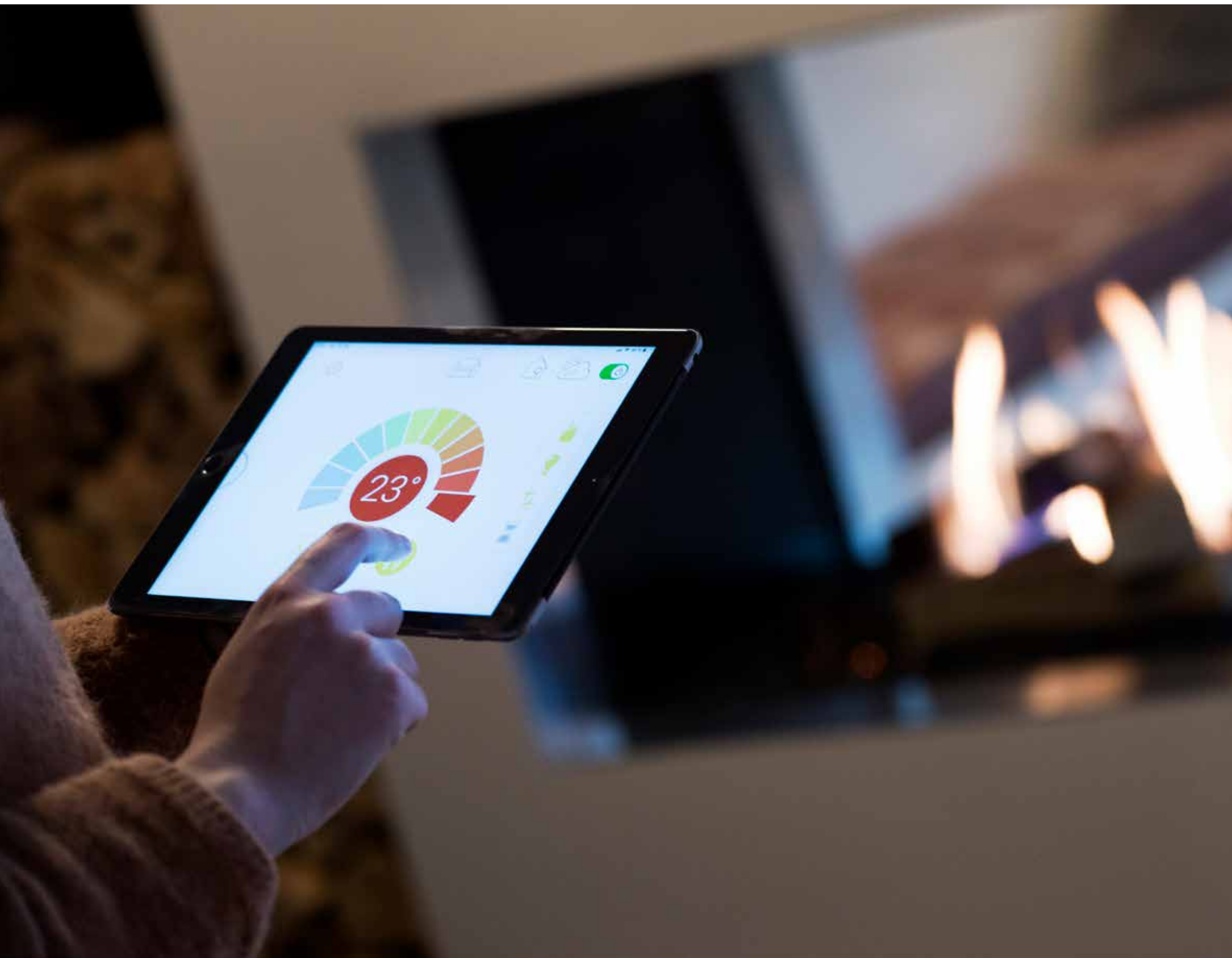
BASIC

LEGS

LEGS

BASE

BASE



EASY TO USE

Download the Myfire app from RAIS for iOS or Android and use any mobile device you like to control the flames in your gas fireplace.

Turn on, adjust and turn off.

All you need is our Wi-Fi box and an internet connection.

All gas fireplace inserts and gas fireplaces from RAIS can be operated by remote control.



YOUR GREEN GAS FIREPLACE: EXTREMELY CLEAN COMBUSTION

When enjoying the comforts of the fire, it is nice to know that nature and your surrounding environment are not being disturbed either. A gas fireplace releases next to no residual particles and much less CO_2 than oil and coal fires, after all.

ACCESSORIES



- 1 - Frame made from black or stainless steel.
- 2 - Non-reflecting glass.
- 3 - Black reflective glass for rear cladding.
- 4 - Wi-Fi box + software.
- 5 - Remote control included.
- 6 - Convection grate available in black or white.
- 7 - White or black inspection door.

DESIGNED TO MAKE A DIFFERENCE

For example, choose a frame made from black steel or stainless steel.

Convection grate available in white or black.

Add a reflecting glass wall inside the gas fireplace to create a more powerful flame look.

A range of RAIS accessories is available, all made to the same high design standard as the gas fireplaces.



IT'S THE DETAIL THAT MATTERS...

You now have the option to choose the same colour for your flue pipe so that it matches the gas fireplace, with all of RAIS' six shades available for the pipes.

You also have the option of stainless steel pipes.

Having the pipe connection in the same colour as the fireplace itself creates a particularly elegant all-round solution, with joints almost invisible on the pipes.



RAIS VISIO 70 F

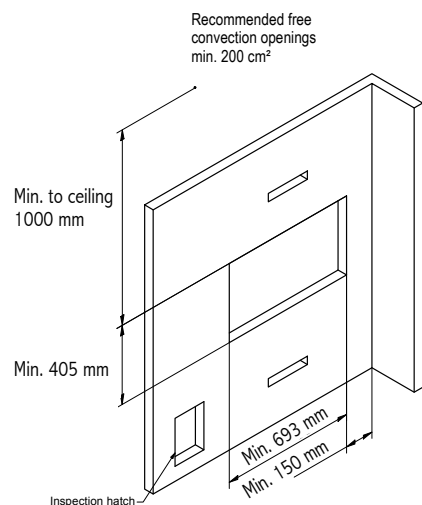
TECHNICAL DATA:

DIMENSIONS (W-D-H)	
Combustion exhaust outlet (diameter)	Ø130 / Ø200 mm
Exterior diameter on gas connection	Ø8 mm

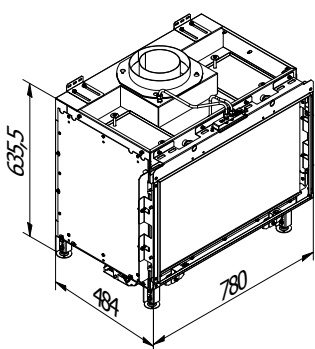
KEY FIGURES	
Output (kW): Natural gas - G20 I2H/I2E	1,9 - 8,8 kW
Output (kW): Propane gas - G30/G31-I3B/P(30)	1,8 - 8 kW
Nominal output	80,1 %

Weight:	110 kg
---------	--------

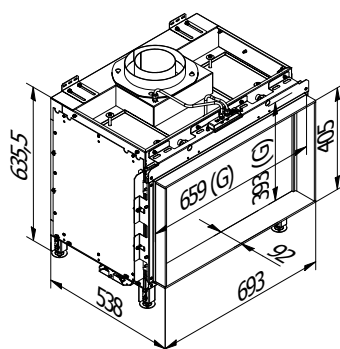
DISTANCE TO FLAMMABLE MATERIAL	
To ceiling	1000 mm
To floor	150 mm
Distance to furniture	1000 mm



A



Without frame



With frame

RAIS VISIO 90 F

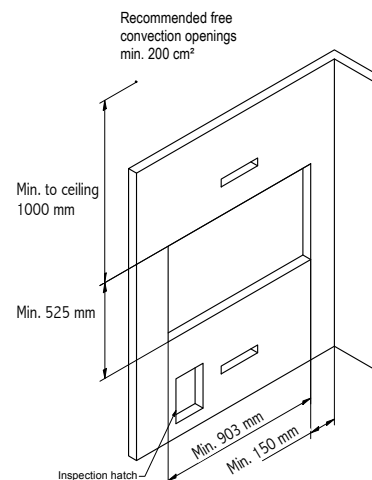
TECHNICAL DATA:

DIMENSIONS (W-D-H)	
Combustion exhaust outlet (diameter)	Ø130 / Ø200 mm
Exterior diameter on gas connection	Ø8 mm

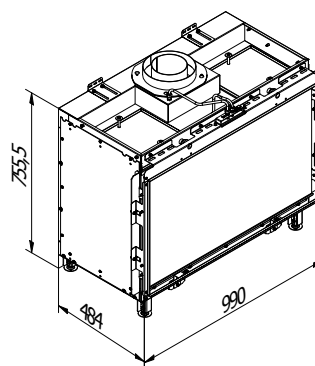
KEY FIGURES	
Output (kW): Natural gas - G20 I2H/I2E	2,5 - 11 kW
Output (kW): Propane gas - G30/G31-I3B/P(30)	2,4 - 10,8 kW
Nominal output	80,1 %

Weight:	145 kg
---------	--------

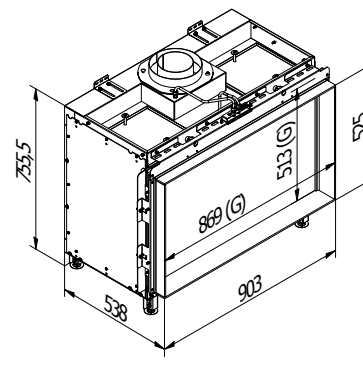
DISTANCE TO FLAMMABLE MATERIAL	
To ceiling	1000 mm
To floor	150 mm
Distance to furniture	1000 mm



A



Without frame



With frame

RAIS VISIO 160 F

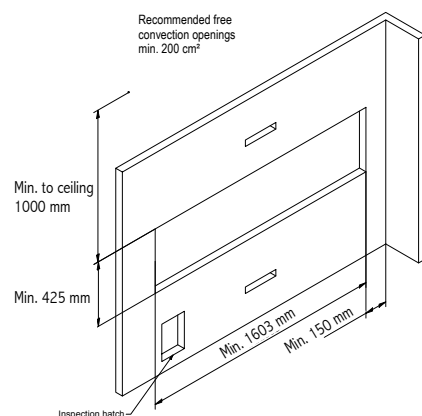
TECHNICAL DATA:

DIMENSIONS (W-D-H)	
Combustion exhaust outlet (diameter)	Ø130 / Ø200 mm
Exterior diameter on gas connection	Ø10 mm

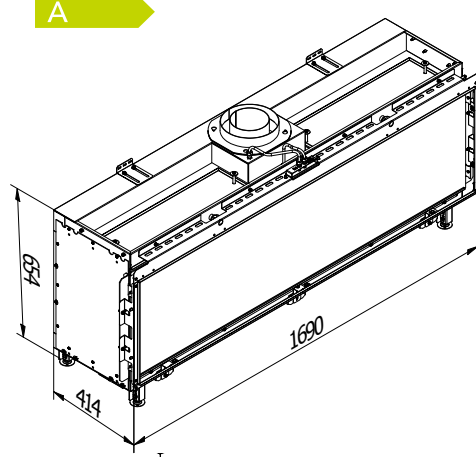
KEY FIGURES	
Output (kW): Natural gas - G20 I2H/I2E	3 - 17,2 kW
Output (kW): Propane gas - G30/G31-I3B/P(30)	2,7 - 16,5 kW
Nominal output	82,9 %

Weight:	170 kg
---------	--------

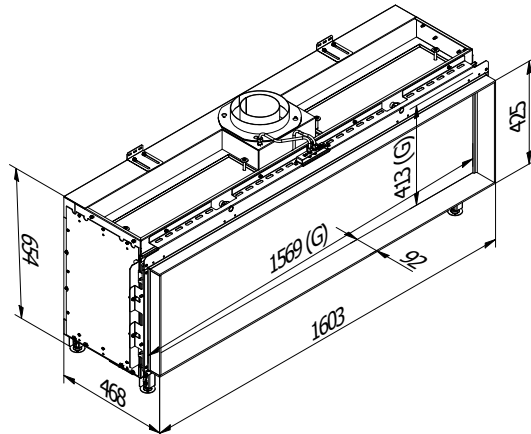
DISTANCE TO FLAMMABLE MATERIAL	
To ceiling	1000 mm
To floor	150 mm
Distance to furniture	1000 mm



A



Without frame



With frame

RAIS VISIO 70 LC

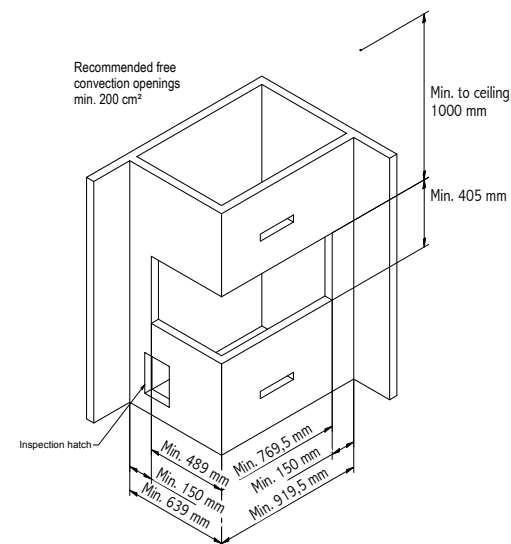
TECHNICAL DATA:

DIMENSIONS (W-D-H)	
Combustion exhaust outlet (diameter)	Ø130 / Ø200 mm
Exterior diameter on gas connection	Ø8 mm

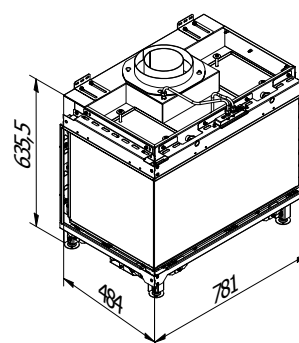
KEY FIGURES	
Output (kW): Natural gas - G20 I2H/I2E	1,9 - 8,8 kW
Output (kW): Propane gas - G30/G31-I3B/P(30)	1,8 - 8 kW
Nominal output	80,1 %

Weight:	100 kg
---------	--------

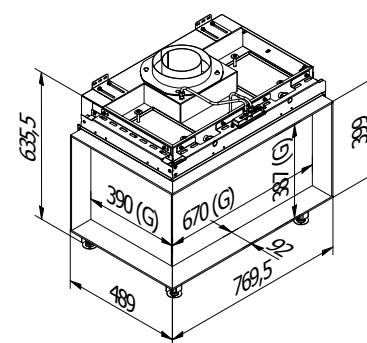
DISTANCE TO FLAMMABLE MATERIAL	
To ceiling	1000 mm
To floor	150 mm
Distance to furniture	1000 mm



A



Without frame



With frame

RAIS VISIO 90 LC

TECHNICAL DATA:

DIMENSIONS (W-D-H)

Combustion exhaust outlet (diameter) $\varnothing 130 / \varnothing 200$ mm
 Exterior diameter on gas connection $\varnothing 8$ mm

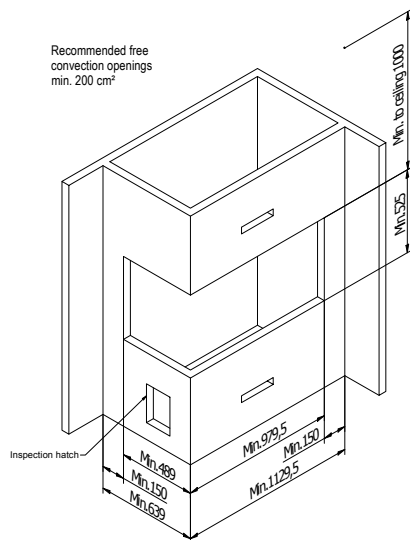
KEY FIGURES

Output (kW): Natural gas - G20 I2H/I2E 2,5 - 11 kW
 Output (kW): Propane gas - G30/G31-I3B/P(30) 2,4 - 10,8 kW
 Nominal output 80,1 %

Weight: 140 kg

DISTANCE TO FLAMMABLE MATERIAL

To ceiling 1000 mm
 To floor 150 mm
 Distance to furniture 1000 mm



RAIS VISIO 160 LC

TECHNICAL DATA:

DIMENSIONS (W-D-H)

Combustion exhaust outlet (diameter) $\varnothing 130 / \varnothing 200$ mm
 Exterior diameter on gas connection $\varnothing 10$ mm

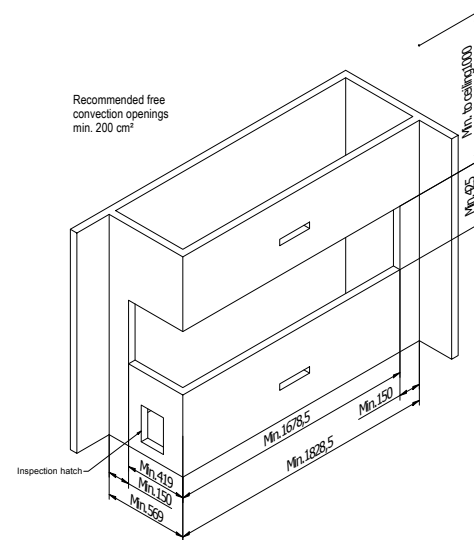
KEY FIGURES

Output (kW): Natural gas - G20 I2H/I2E 3 - 17,2 kW
 Output (kW): Propane gas - G30/G31-I3B/P(30) 2,7 - 16,5 kW
 Nominal output 82,9 %

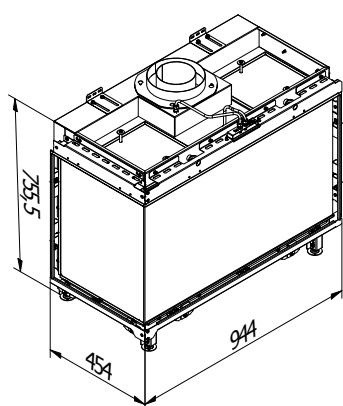
Weight: 165 kg

DISTANCE TO FLAMMABLE MATERIAL

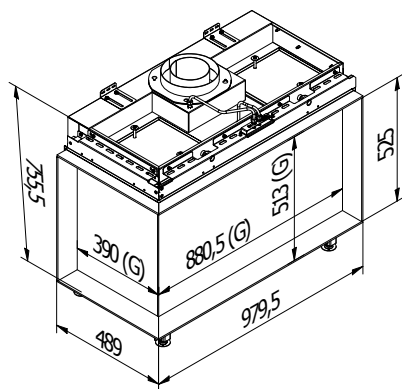
To ceiling 1000 mm
 To floor 150 mm
 Distance to furniture 1000 mm



A

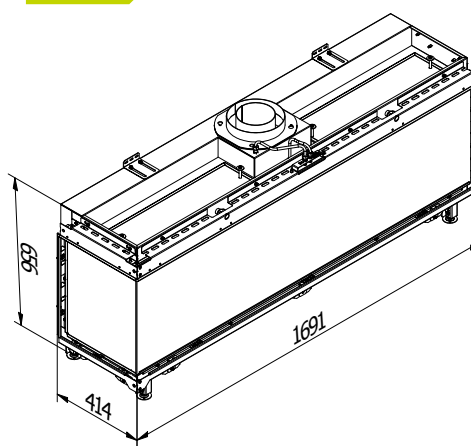


Without frame

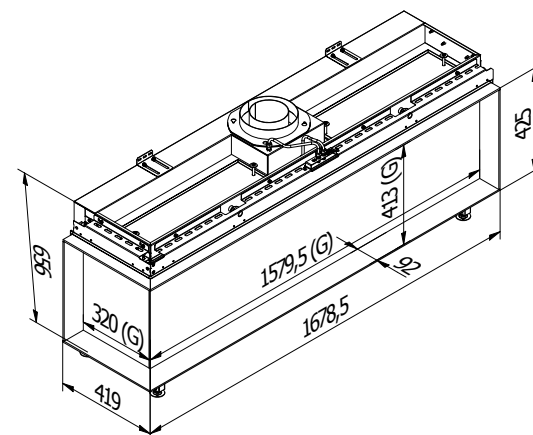


With frame

A



Without frame



With frame

RAIS VISIO 70 RC

TECHNICAL DATA:

DIMENSIONS (W-D-H)

Combustion exhaust outlet (diameter) $\varnothing 130 / \varnothing 200$ mm
 Exterior diameter on gas connection $\varnothing 8$ mm

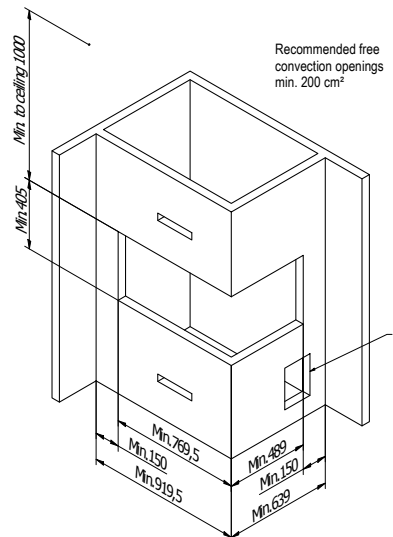
KEY FIGURES

Output (kW): Natural gas - G20 I2H/I2E 1,9 - 8,8 kW
 Output (kW): Propane gas - G30/G31-I3B/P(30) 1,8 - 8 kW
 Nominal output 80,1 %

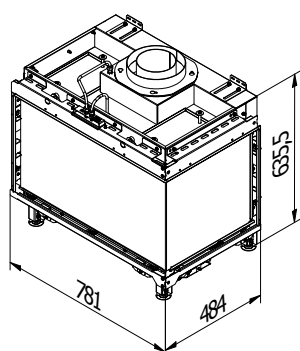
Weight: 100 kg

DISTANCE TO FLAMMABLE MATERIAL

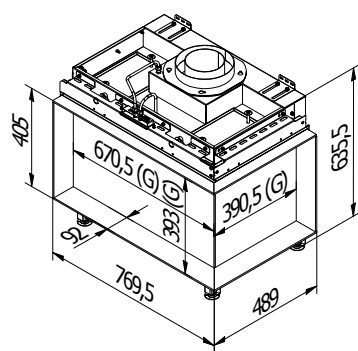
To ceiling 1000 mm
 To floor 150 mm
 Distance to furniture 1000 mm



A



Without frame



With frame

RAIS VISIO 90 RC

TECHNICAL DATA:

DIMENSIONS (W-D-H)

Combustion exhaust outlet (diameter) $\varnothing 130 / \varnothing 200$ mm
 Exterior diameter on gas connection $\varnothing 8$ mm

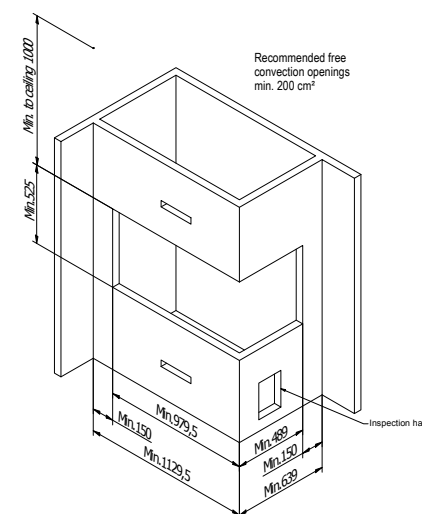
KEY FIGURES

Output (kW): Natural gas - G20 I2H/I2E 2,5 - 11 kW
 Output (kW): Propane gas - G30/G31-I3B/P(30) 2,4 - 10,8 kW
 Nominal output 80,1 %

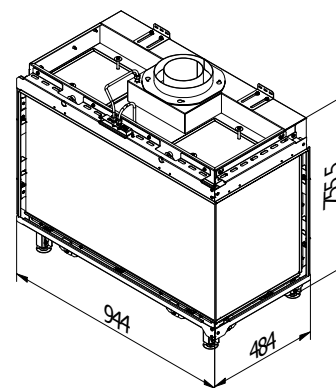
Weight: 135 kg

DISTANCE TO FLAMMABLE MATERIAL

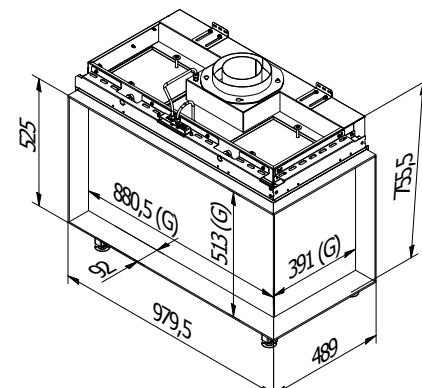
To ceiling 1000 mm
 To floor 150 mm
 Distance to furniture 1000 mm



A



Without frame



With frame

RAIS VISIO 160 RC

TECHNICAL DATA:

DIMENSIONS (W-D-H)

Combustion exhaust outlet (diameter) Ø130 / Ø200 mm
 Exterior diameter on gas connection Ø10 mm

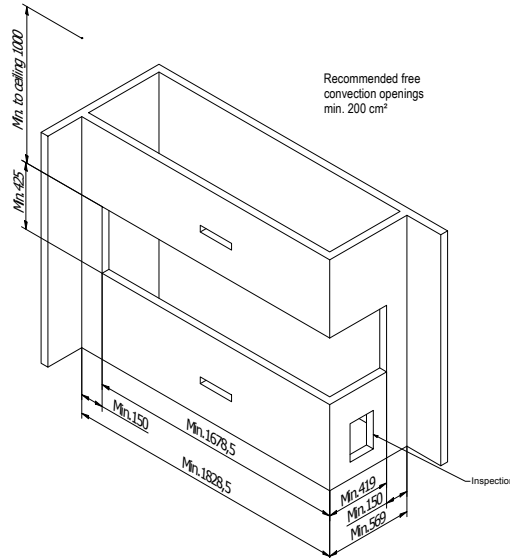
KEY FIGURES

Output (kW): Natural gas - G20 I2H/I2E 3 - 17,2 kW
 Output (kW): Propane gas - G30/G31-I3B/P(30) 2,7 - 16,5 kW
 Nominal output 82,9 %

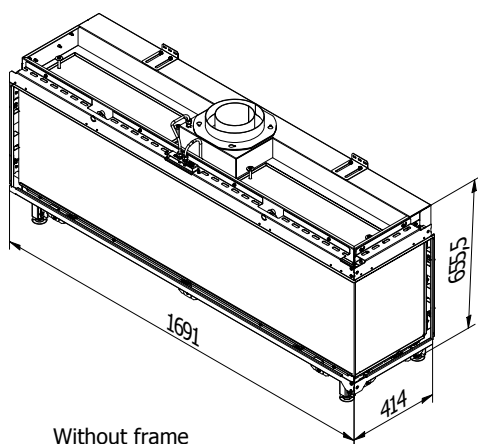
Weight: 165 kg

DISTANCE TO FLAMMABLE MATERIAL

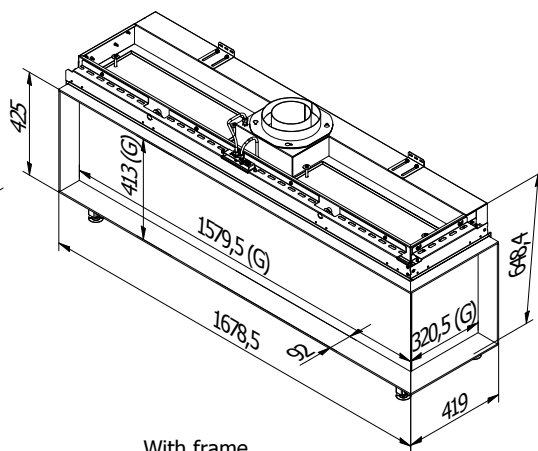
To ceiling 1000 mm
 To floor 150 mm
 Distance to furniture 1000 mm



A



Without frame



With frame

RAIS VISIO 70 3S

TECHNICAL DATA:

DIMENSIONS (W-D-H)

Combustion exhaust outlet (diameter) Ø130 / Ø200 mm
 Exterior diameter on gas connection Ø8 mm

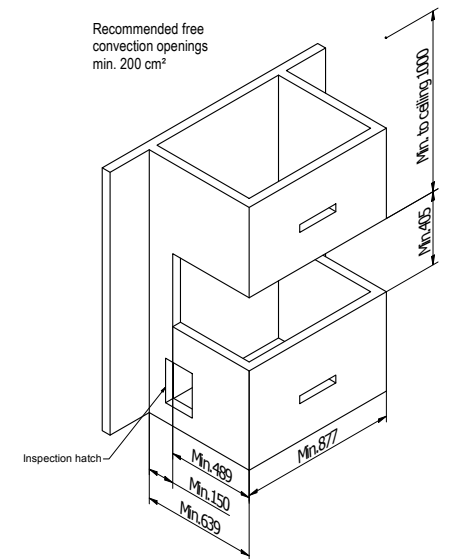
KEY FIGURES

Output (kW): Natural gas - G20 I2H/I2E 1,9 - 8,8 kW
 Output (kW): Propane gas - G30/G31-I3B/P(30) 1,8 - 8 kW
 Nominal output 80,1 %

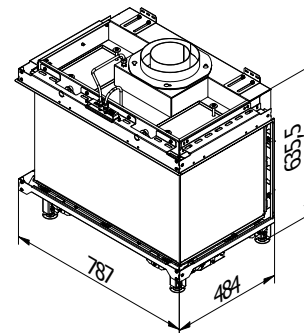
Weight: 100 kg

DISTANCE TO FLAMMABLE MATERIAL

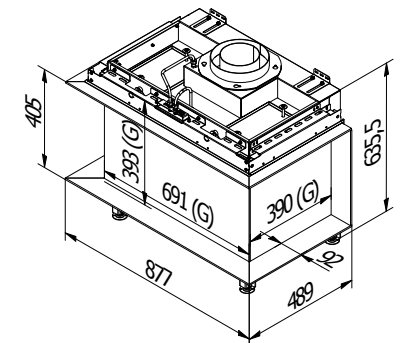
To ceiling 1000 mm
 To floor 150 mm
 Distance to furniture 1000 mm



A



Without frame



With frame

RAIS VISIO 90 3S

TECHNICAL DATA:

DIMENSIONS (W-D-H)

Combustion exhaust outlet (diameter) Ø130 / Ø200 mm
 Exterior diameter on gas connection Ø8 mm

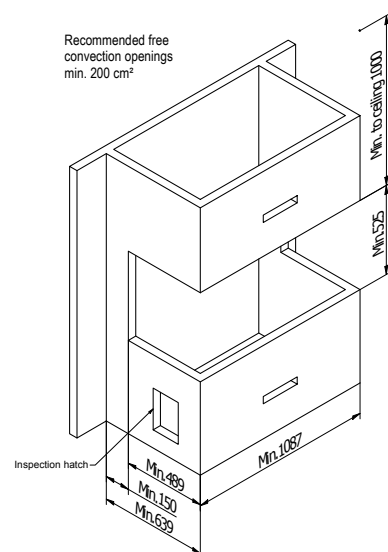
KEY FIGURES

Output (kW): Natural gas - G20 I2H/I2E 1,9 - 8,8 kW
 Output (kW): Propane gas - G30/G31-I3B/P(30) 1,8 - 8 kW
 Nominal output 80,1 %

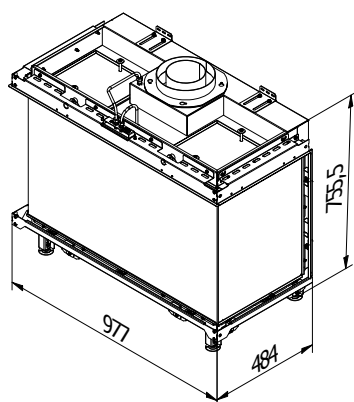
Weight: 135 kg

DISTANCE TO FLAMMABLE MATERIAL

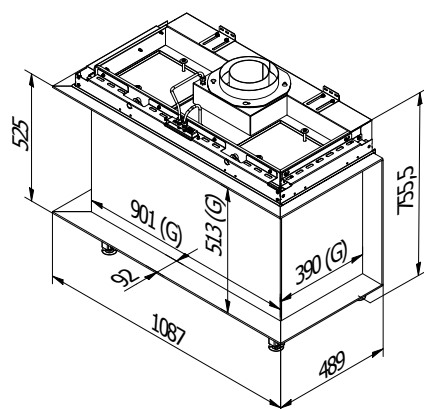
To ceiling 1000 mm
 To floor 150 mm
 Distance to furniture 1000 mm



A



Without frame



With frame

RAIS VISIO 160 3S

TECHNICAL DATA:

DIMENSIONS (W-D-H)

Combustion exhaust outlet (diameter) Ø130 / Ø200 mm
 Exterior diameter on gas connection Ø10 mm

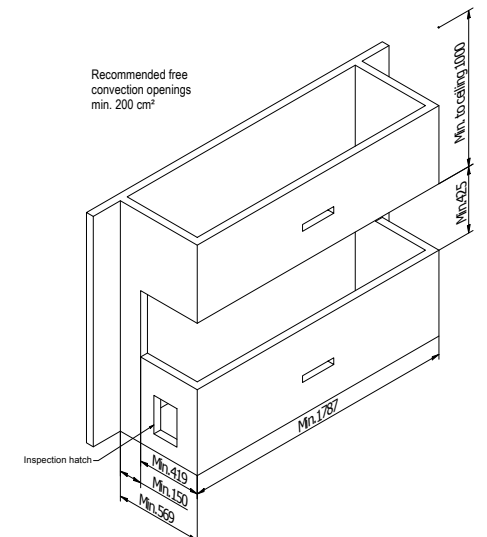
KEY FIGURES

Output (kW): Natural gas - G20 I2H/I2E 3 - 17,2 kW
 Output (kW): Propane gas - G30/G31-I3B/P(30) 2,7 - 16,5 kW
 Nominal output 82,9 %

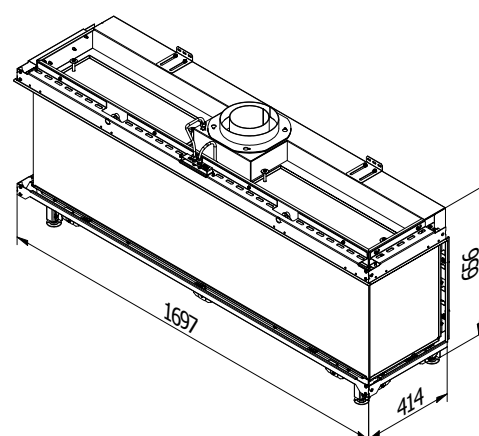
Weight: 160 kg

DISTANCE TO FLAMMABLE MATERIAL

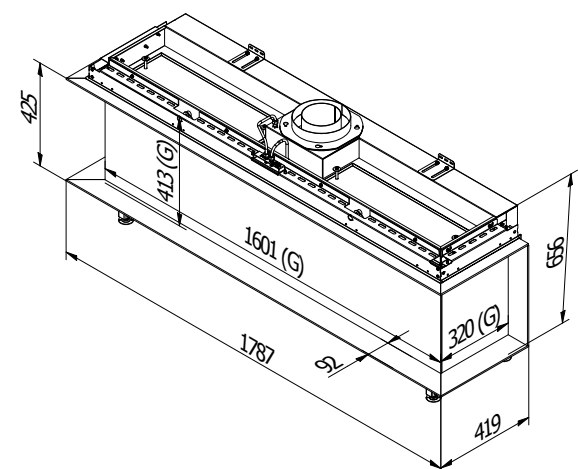
To ceiling 1000 mm
 To floor 150 mm
 Distance to furniture 1000 mm



A



Without frame



With frame

RAIS VISIO 70 RD

TECHNICAL DATA:

DIMENSIONS (W-D-H)

Combustion exhaust outlet (diameter) $\varnothing 130 / \varnothing 200$ mm
 Exterior diameter on gas connection $\varnothing 8$ mm

KEY FIGURES

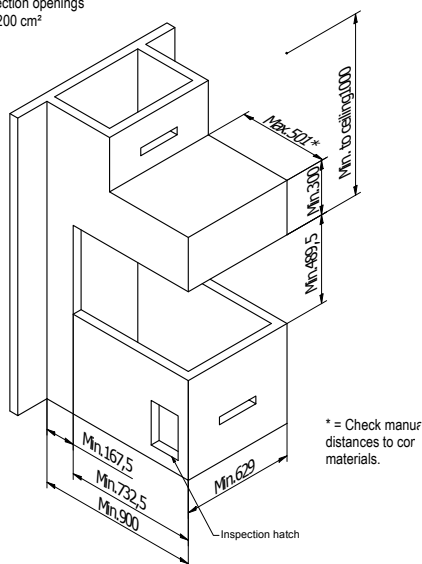
Output (kW): Natural gas - G20 I2H/I2E 2,5 - 11 kW
 Output (kW): Propane gas - G30/G31-I3B/P(30) 2,4 - 10,8 kW
 Nominal output 80,1 %

Weight: 125 kg

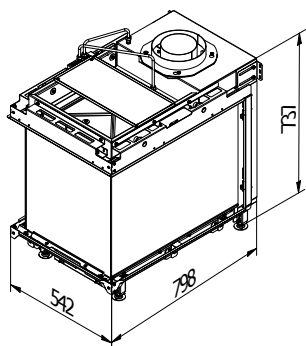
DISTANCE TO FLAMMABLE MATERIAL

To ceiling 1000 mm
 To floor 150 mm
 Distance to furniture 1000 mm

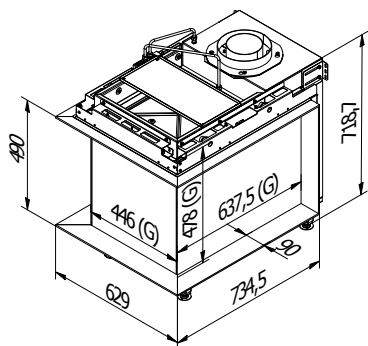
Recommended free convection openings min. 200 cm²



A



Without frame



With frame

RAIS VISIO 90 RD

TECHNICAL DATA:

DIMENSIONS (W-D-H)

Combustion exhaust outlet (diameter) $\varnothing 130 / \varnothing 200$ mm
 Exterior diameter on gas connection $\varnothing 8$ mm

KEY FIGURES

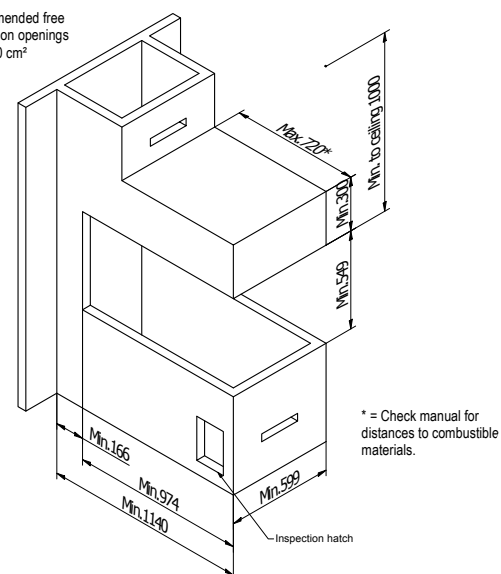
Output (kW): Natural gas - G20 I2H/I2E 2,5 - 11 kW
 Output (kW): Propane gas - G30/G31-I3B/P(30) 2,4 - 10,8 kW
 Nominal output 80,1 %

Weight: 150 kg

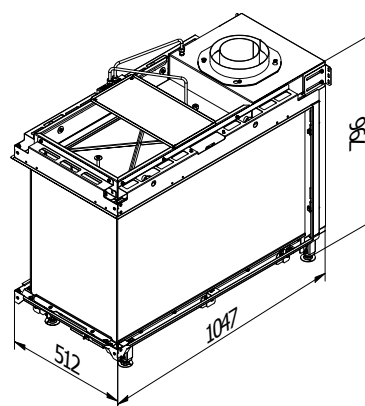
DISTANCE TO FLAMMABLE MATERIAL

To ceiling 1000 mm
 To floor 150 mm
 Distance to furniture 1000 mm

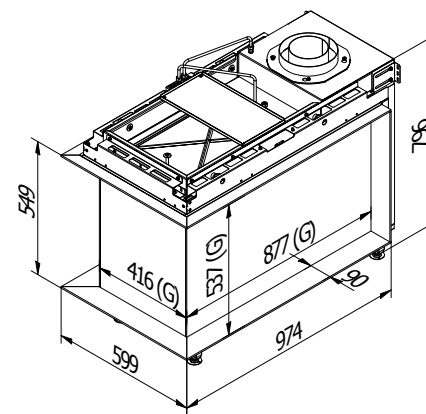
Recommended free convection openings min. 200 cm²



A



Without frame



With frame

RAIS VISIO 70 T

TECHNICAL DATA:

DIMENSIONS (W-D-H)

Combustion exhaust outlet (diameter) $\varnothing 100 / \varnothing 150$ mm
 Exterior diameter on gas connection $\varnothing 8$ mm

KEY FIGURES

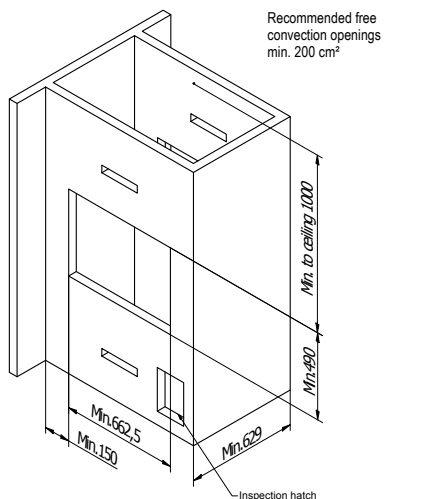
Output (kW): Natural gas - G20 I2H/I2E 2,5 - 11 kW
 Output (kW): Propane gas - G30/G31-I3B/P(30) 2,4 - 10,8 kW
 Nominal output 80,1 %

Weight: 120 kg

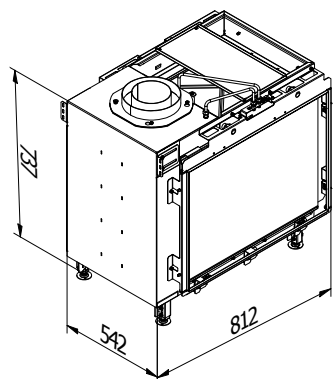
DISTANCE TO FLAMMABLE MATERIAL

To ceiling 1000 mm
 To floor 150 mm
 Distance to furniture 1000 mm

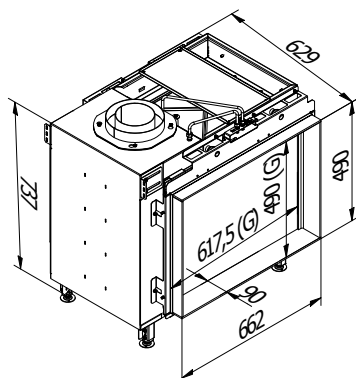
Recommended free convection openings min. 200 cm²



A



Without frame



With frame

RAIS VISIO 90 T

TECHNICAL DATA:

DIMENSIONS (W-D-H)

Combustion exhaust outlet (diameter) $\varnothing 130 / \varnothing 200$ mm
 Exterior diameter on gas connection $\varnothing 8$ mm

KEY FIGURES

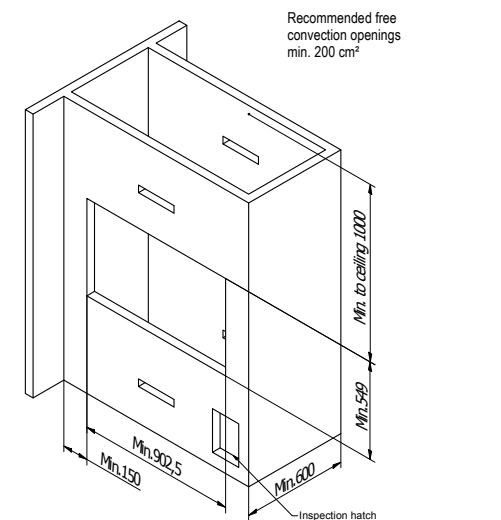
Output (kW): Natural gas - G20 I2H/I2E 2,5 - 11 kW
 Output (kW): Propane gas - G30/G31-I3B/P(30) 2,4 - 10,8 kW
 Nominal output 80,1 %

Weight: 145 kg

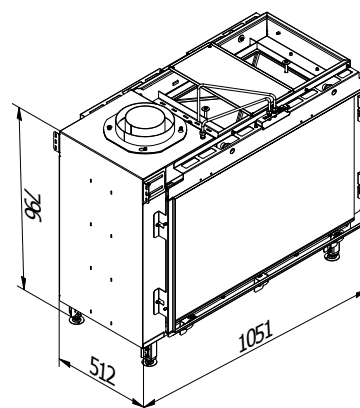
DISTANCE TO FLAMMABLE MATERIAL

To ceiling 1000 mm
 To floor 150 mm
 Distance to furniture 1000 mm

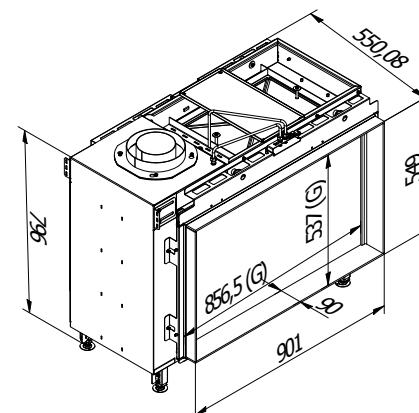
Recommended free convection openings min. 200 cm²



A



Without frame



With frame

RAIS VIVA L 100 WITH SIDE GLASS

TECHNICAL DATA:

DIMENSIONS (W-D-H)

Gas fireplace exterior dimensions	Ø470/1000 mm
Combustion exhaust outlet (diameter)	Ø100/Ø150 mm
Distance from floor to centre combustion exhaust outlet top	967 mm
Distance from floor to centre combustion exhaust outlet rear	831 mm

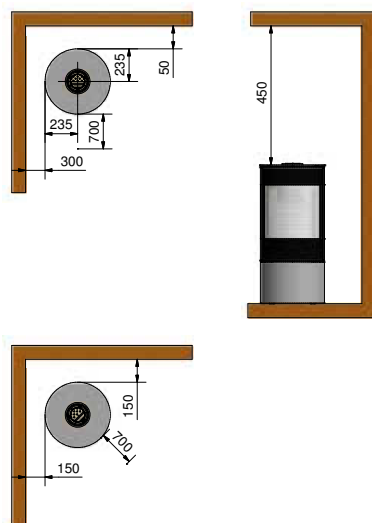
KEY FIGURES

Output (kW): Natural gas - G20 I2H/I2E	1,2 - 8,2 kW
Output (kW): Propane gas - G30/G31-I3B/P(30)	1,3 - 7,6 kW
Efficiency	78 %

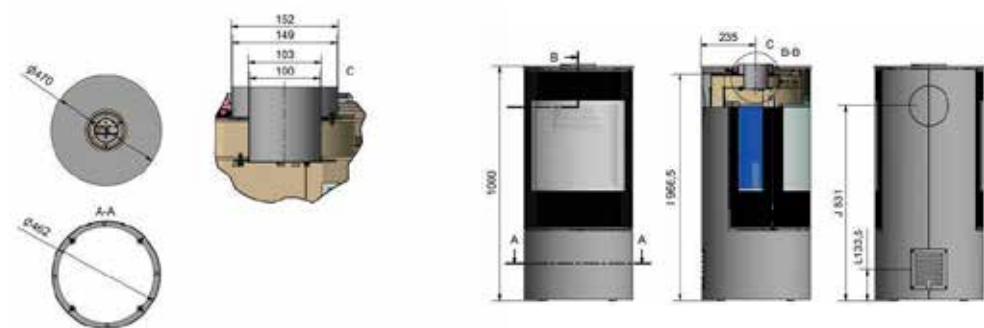
Weight:	117 kg
---------	--------

DISTANCE TO FLAMMABLE MATERIAL

To wall at side	300 mm
To rear wall	50 mm



A



RAIS VIVA L 100 WITHOUT SIDE GLASS

TECHNICAL DATA:

DIMENSIONS (W-D-H)

Gas fireplace exterior dimensions	Ø470/1000 mm
Combustion exhaust outlet (diameter)	Ø100/Ø150 mm
Distance from floor to centre combustion exhaust outlet top	967 mm
Distance from floor to centre combustion exhaust outlet rear	831 mm

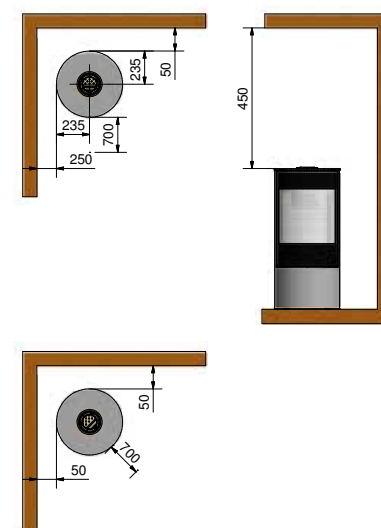
KEY FIGURES

Output (kW): Natural gas - G20 I2H/I2E	1,2 - 8,2 kW
Output (kW): Propane gas - G30/G31-I3B/P(30)	1,3 - 7,6 kW
Efficiency	78 %

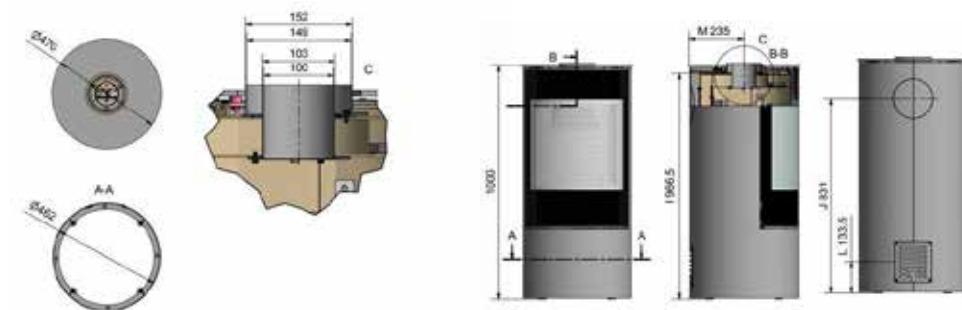
Weight:	117 kg
---------	--------

DISTANCE TO FLAMMABLE MATERIAL

To wall at side	250 mm
To rear wall	50 mm



A



RAIS VIVA L 120 WITH SIDE GLASS

TECHNICAL DATA:

DIMENSIONS (W-D-H)

Gas fireplace exterior dimensions	Ø470-1000 mm
Combustion exhaust outlet (diameter)	Ø100/Ø150 mm
Distance from floor to centre combustion exhaust outlet top	1047 mm
Distance from floor to centre combustion exhaust outlet rear	911 mm

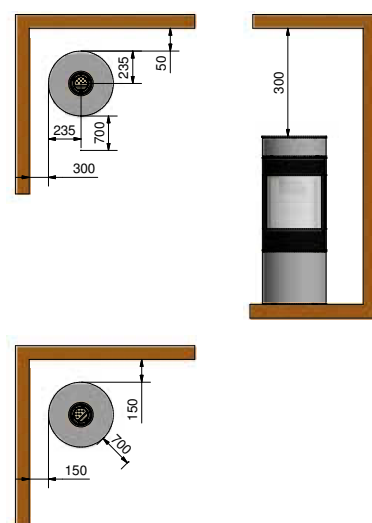
KEY FIGURES

Output (kW): Natural gas - G20 I2H/I2E	1,2 - 8,2 kW
Output (kW): Propane gas - G30/G31-I3B/P(30)	1,3 - 7,6 kW
Efficiency	78 %

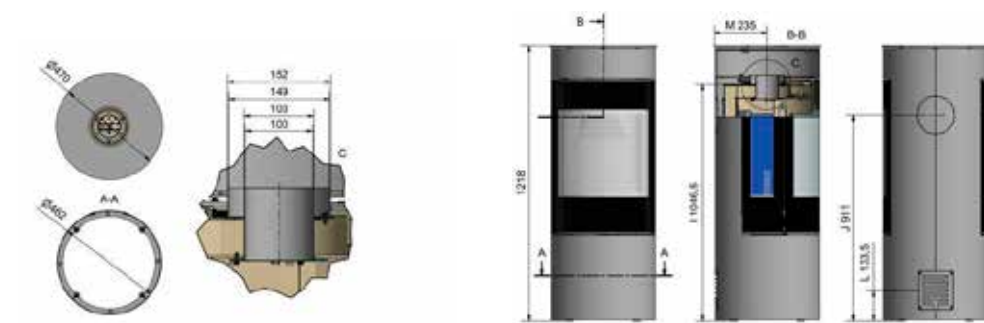
Weight:	126 kg
---------	--------

DISTANCE TO FLAMMABLE MATERIAL

To wall at side	300 mm
To rear wall	50 mm



A



RAIS VIVA L 120 WITHOUT SIDE GLASS

TECHNICAL DATA:

DIMENSIONS (W-D-H)

Gas fireplace exterior dimensions	Ø470-1000 mm
Combustion exhaust outlet (diameter)	Ø100/Ø150 mm
Distance from floor to centre combustion exhaust outlet top	1047 mm
Distance from floor to centre combustion exhaust outlet rear	911 mm

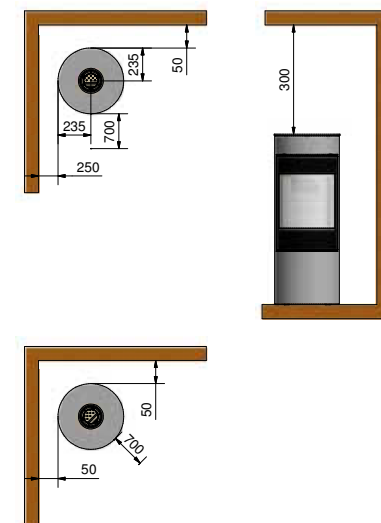
KEY FIGURES

Output (kW): Natural gas - G20 I2H/I2E	1,2 - 8,2 kW
Output (kW): Propane gas - G30/G31-I3B/P(30)	1,3 - 7,6 kW
Efficiency	78 %

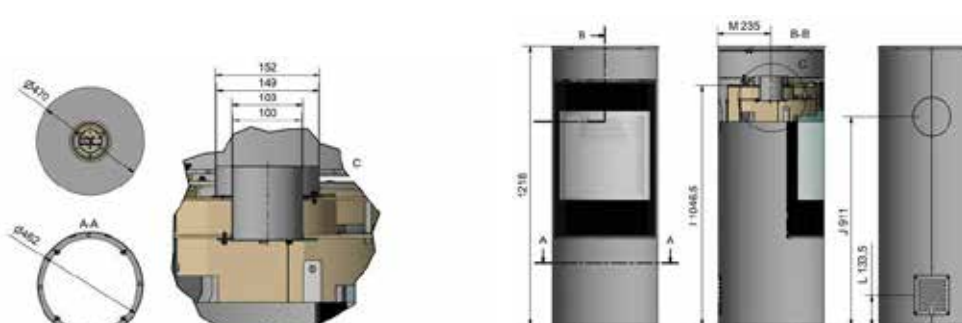
Weight:	126 kg
---------	--------

DISTANCE TO FLAMMABLE MATERIAL

To wall at side	250 mm
To rear wall	50 mm



A



RAIS VIVA L 160 WITH SIDE GLASS

TECHNICAL DATA:

DIMENSIONS (W-D-H)

Gas fireplace exterior dimensions	Ø470-1618 mm
Combustion exhaust outlet (diameter)	Ø100-Ø150 mm
Distance from floor to centre combustion exhaust outlet top	1107 mm
Distance from floor to centre combustion exhaust outlet rear	971 mm

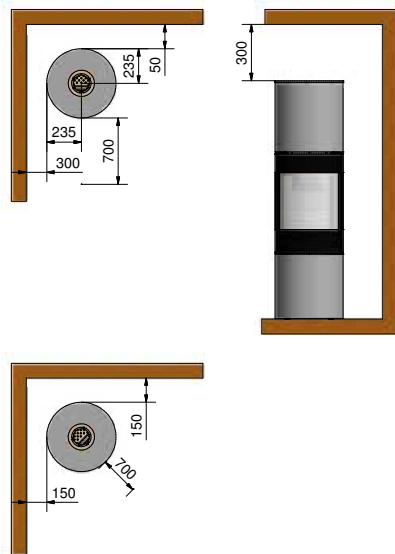
KEY FIGURES

Output (kW): Natural gas - G20 I2H/I2E	1,2 - 8,2 kW
Output (kW): Propane gas - G30/G31-I3B/P(30)	1,3 - 7,6 kW
Efficiency	78 %

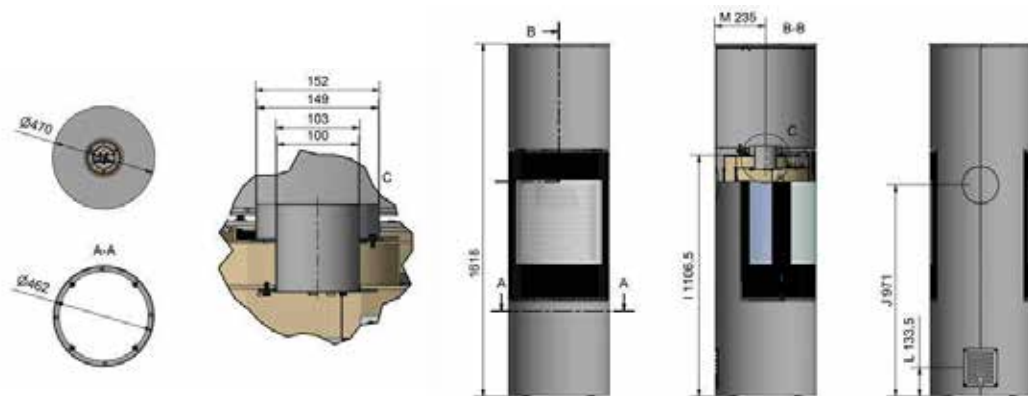
Weight:	146 kg
---------	--------

DISTANCE TO FLAMMABLE MATERIAL

To wall at side	300 mm
To rear wall	50 mm



A



RAIS VIVA L 160 WITHOUT SIDE GLASS

TECHNICAL DATA:

DIMENSIONS (W-D-H)

Gas fireplace exterior dimensions	Ø470-1618 mm
Combustion exhaust outlet (diameter)	Ø100-Ø150 mm
Distance from floor to centre combustion exhaust outlet top	1107 mm
Distance from floor to centre combustion exhaust outlet rear	971 mm

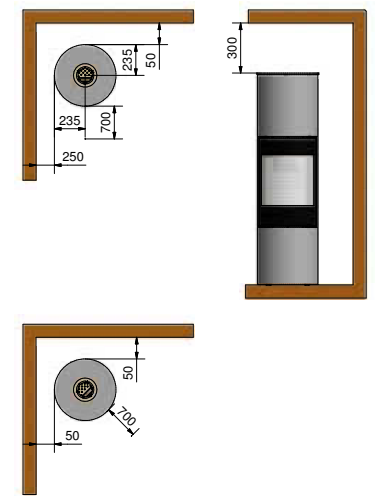
KEY FIGURES

Output (kW): Natural gas - G20 I2H/I2E	1,2 - 8,2 kW
Output (kW): Propane gas - G30/G31-I3B/P(30)	1,3 - 7,6 kW
Efficiency	78 %

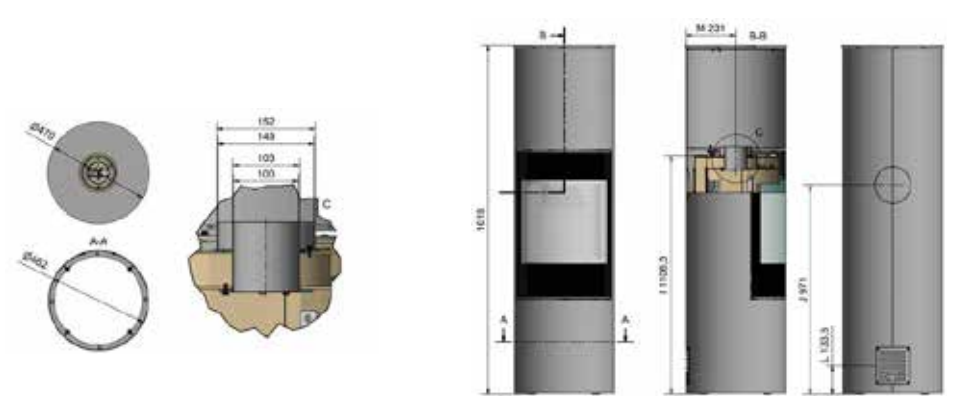
Weight:	146 kg
---------	--------

DISTANCE TO FLAMMABLE MATERIAL

To wall at side	250 mm
To rear wall	50 mm



A



RAIS NEXO 100 WITH SIDE GLASS

TECHNICAL DATA:

DIMENSIONS (W-D-H)

Gas fireplace exterior dimensions	446-398-1035 mm
Combustion exhaust outlet (diameter)	Ø100-Ø150 mm
Distance from floor to centre combustion exhaust outlet top	987 mm
Distance from floor to centre combustion exhaust outlet rear	853 mm

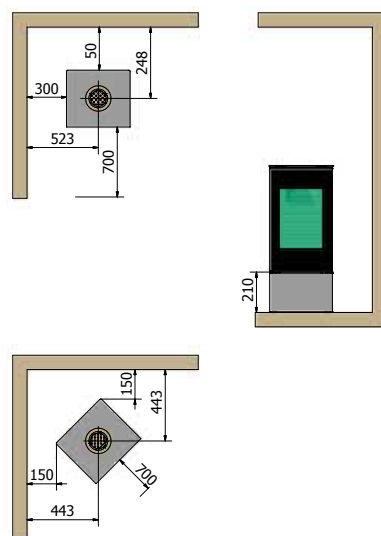
KEY FIGURES

Output (kW): Natural gas - G20 I2H/I2E	1,2 - 8,2 kW
Output (kW): Propane gas - G30/G31-I3B/P(30)	1,3 - 7,6 kW
Efficiency	78 %

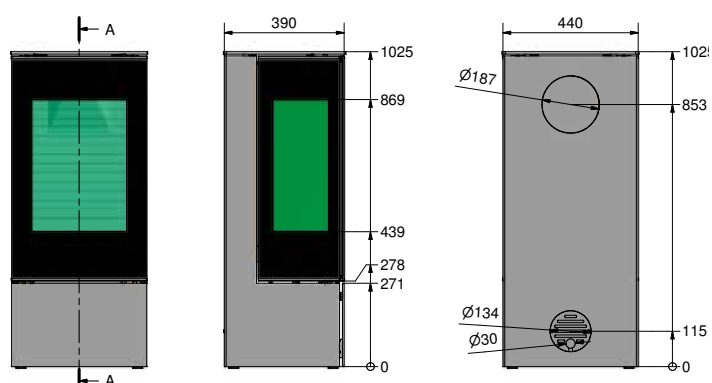
Weight:	125 kg
---------	--------

DISTANCE TO FLAMMABLE MATERIAL

To wall at side	300 mm
To rear wall	50 mm



A



RAIS NEXO 100 WITHOUT SIDE GLASS

TECHNICAL DATA:

DIMENSIONS (W-D-H)

Gas fireplace exterior dimensions	446-398-1035 mm
Combustion exhaust outlet (diameter)	Ø100-Ø150 mm
Distance from floor to centre combustion exhaust outlet top	987 mm
Distance from floor to centre combustion exhaust outlet rear	853 mm

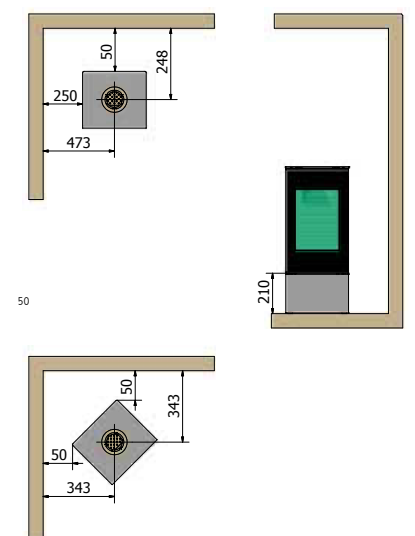
KEY FIGURES

Output (kW): Natural gas - G20 I2H/I2E	1,2 - 8,2 kW
Output (kW): Propane gas - G30/G31-I3B/P(30)	1,3 - 7,6 kW
Efficiency	78 %

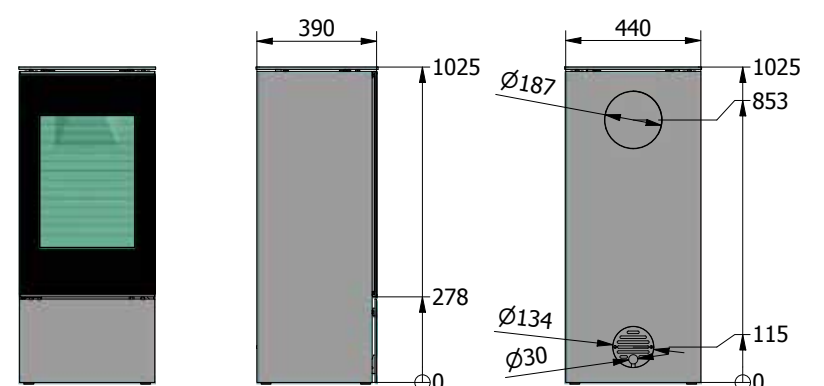
Weight:	125 kg
---------	--------

DISTANCE TO FLAMMABLE MATERIAL

To wall at side	250 mm
To rear wall	50 mm



A



RAIS NEXO 120 WITH SIDE GLASS

TECHNICAL DATA:

DIMENSIONS (W-D-H)

Gas fireplace exterior dimensions	446-398-1235 mm
Combustion exhaust outlet (diameter)	Ø100/Ø150 mm
Distance from floor to centre combustion exhaust outlet top	1197 mm
Distance from floor to centre combustion exhaust outlet rear	1063 mm

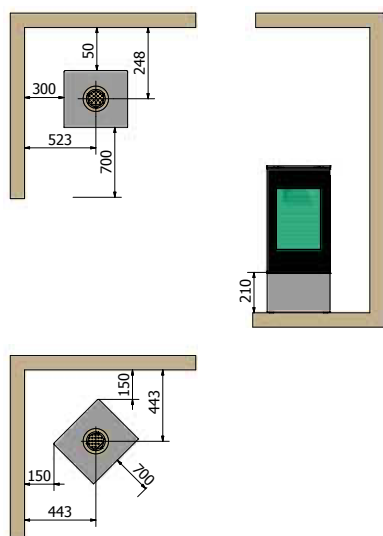
KEY FIGURES

Output (kW): Natural gas - G20 I2H/I2E	1,2 - 8,2 kW
Output (kW): Propane gas - G30/G31-I3B/P(30)	1,3 - 7,6 kW
Efficiency	78 %

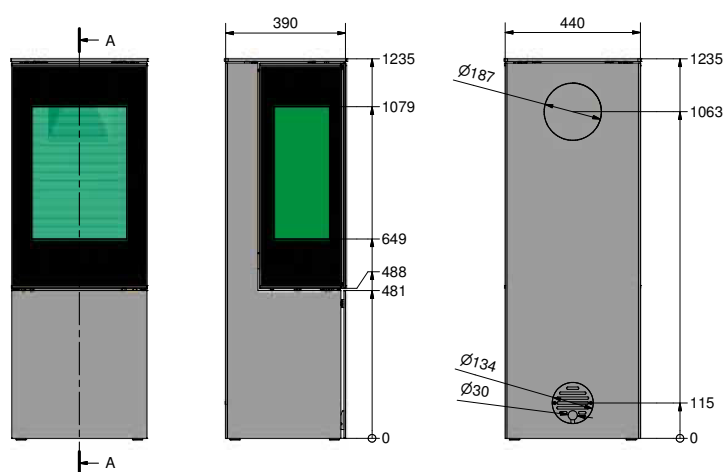
Weight:	140 kg
---------	--------

DISTANCE TO FLAMMABLE MATERIAL

To wall at side	300 mm
To rear wall	50 mm



A



RAIS NEXO 120 WITHOUT SIDE GLASS

TECHNICAL DATA:

DIMENSIONS (W-D-H)

Gas fireplace exterior dimensions	446-398-1235 mm
Combustion exhaust outlet (diameter)	Ø100/Ø150 mm
Distance from floor to centre combustion exhaust outlet top	1197 mm
Distance from floor to centre combustion exhaust outlet rear	1063 mm

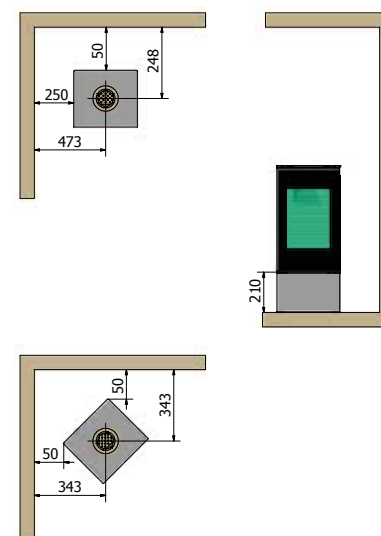
KEY FIGURES

Output (kW): Natural gas - G20 I2H/I2E	1,2 - 8,2 kW
Output (kW): Propane gas - G30/G31-I3B/P(30)	1,3 - 7,6 kW
Efficiency	78 %

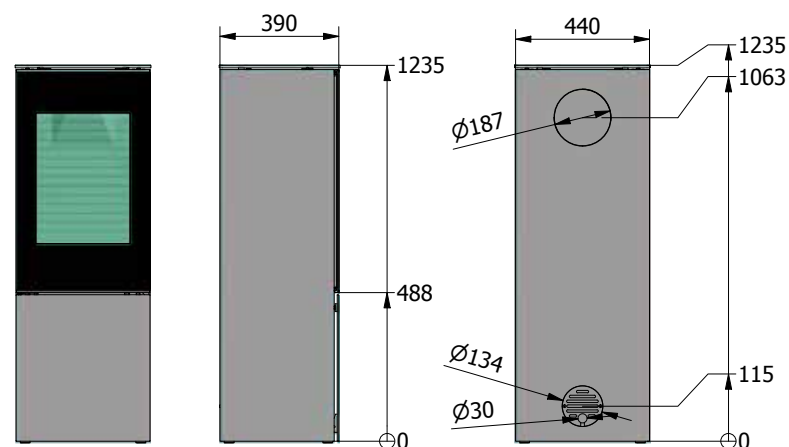
Weight:	140 kg
---------	--------

DISTANCE TO FLAMMABLE MATERIAL

To wall at side	250 mm
To rear wall	50 mm



A



RAIS NEXO 140 WITH SIDE GLASS

TECHNICAL DATA:

DIMENSIONS (W-D-H)

Gas fireplace exterior dimensions	446-398-1426 mm
Combustion exhaust outlet (diameter)	Ø100/Ø150 mm
Distance from floor to centre combustion exhaust outlet top	1197 mm
Distance from floor to centre combustion exhaust outlet rear	1063 mm

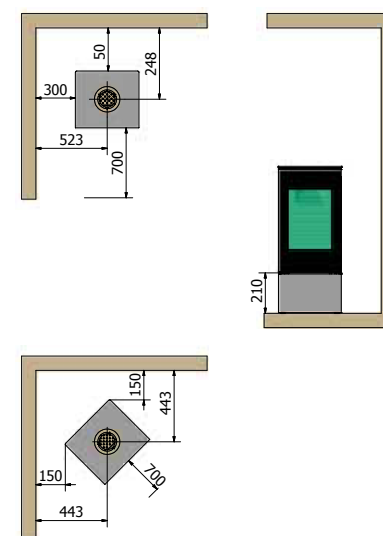
KEY FIGURES

Output (kW): Natural gas - G20 I2H/I2E	1,2 - 8,2 kW
Output (kW): Propane gas - G30/G31-I3B/P(30)	1,3 - 7,6 kW
Efficiency	78 %

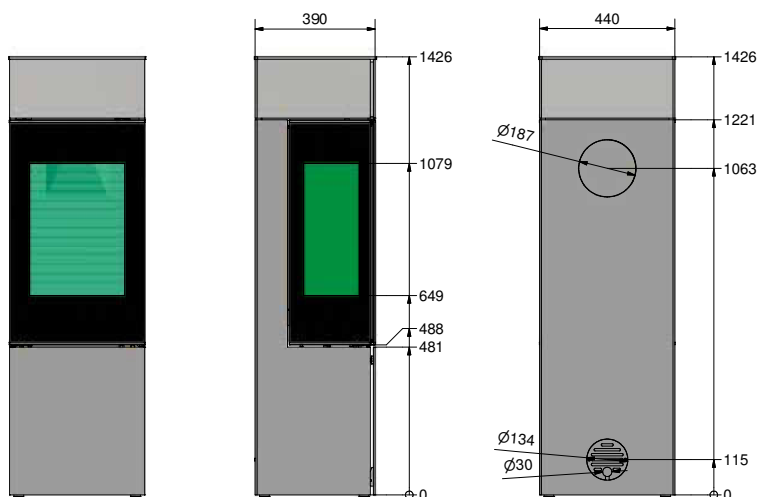
Weight:	156 kg
---------	--------

DISTANCE TO FLAMMABLE MATERIAL

To wall at side	300 mm
To rear wall	50 mm



A



RAIS NEXO 140 WITHOUT SIDE GLASS

TECHNICAL DATA:

DIMENSIONS (W-D-H)

Gas fireplace exterior dimensions	446-398-1426 mm
Combustion exhaust outlet (diameter)	Ø100/Ø150 mm
Distance from floor to centre combustion exhaust outlet top	1197 mm
Distance from floor to centre combustion exhaust outlet rear	1063 mm

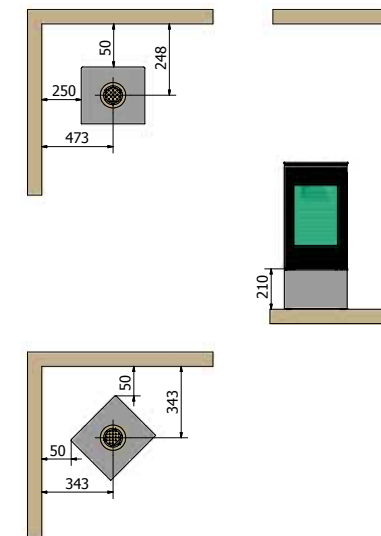
KEY FIGURES

Output (kW): Natural gas - G20 I2H/I2E	1,2 - 8,2 kW
Output (kW): Propane gas - G30/G31-I3B/P(30)	1,3 - 7,6 kW
Efficiency	78 %

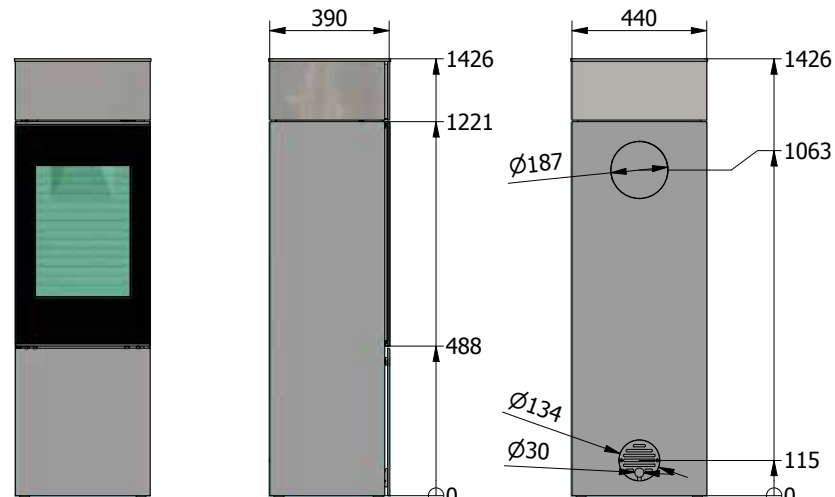
Weight:	156 kg
---------	--------

DISTANCE TO FLAMMABLE MATERIAL

To wall at side	250 mm
To rear wall	50 mm



A



RAIS NEXO 160 WITH SIDE GLASS

TECHNICAL DATA:

DIMENSIONS (W-D-H)

Gas fireplace exterior dimensions	446-398-1601 mm
Combustion exhaust outlet (diameter)	Ø100-Ø150 mm
Distance from floor to centre combustion exhaust outlet top	1197 mm
Distance from floor to centre combustion exhaust outlet rear	1063 mm

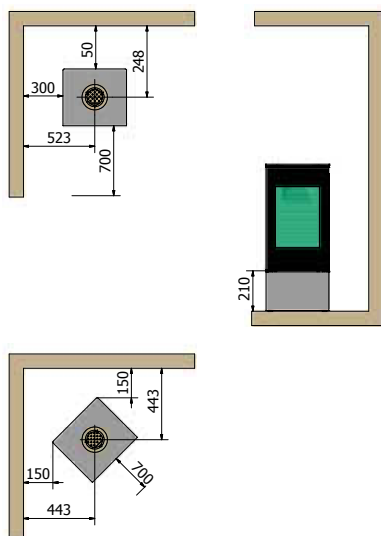
KEY FIGURES

Output (kW): Natural gas - G20 I2H/I2E	1,2 - 8,2 kW
Output (kW): Propane gas - G30/G31-I3B/P(30)	1,3 - 7,6 kW
Efficiency	78 %

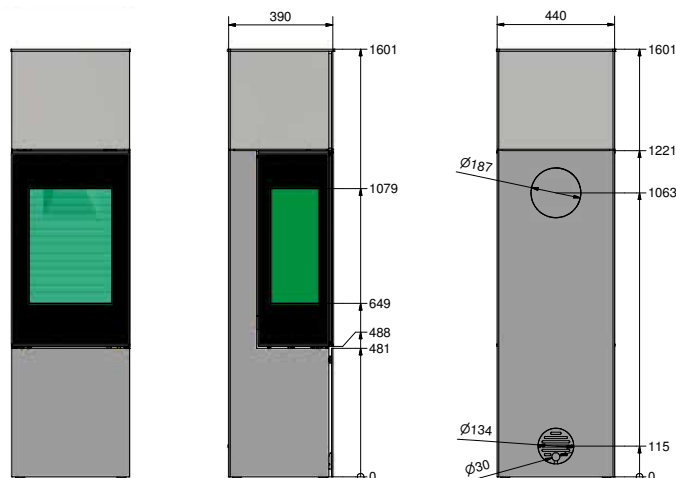
Weight:	166 kg
---------	--------

DISTANCE TO FLAMMABLE MATERIAL

To wall at side	300 mm
To rear wall	50 mm



A



RAIS NEXO 160 WITHOUT SIDE GLASS

TECHNICAL DATA:

DIMENSIONS (W-D-H)

Gas fireplace exterior dimensions	446-398-1601 mm
Combustion exhaust outlet (diameter)	Ø100-Ø150 mm
Distance from floor to centre combustion exhaust outlet top	1197 mm
Distance from floor to centre combustion exhaust outlet rear	1063 mm

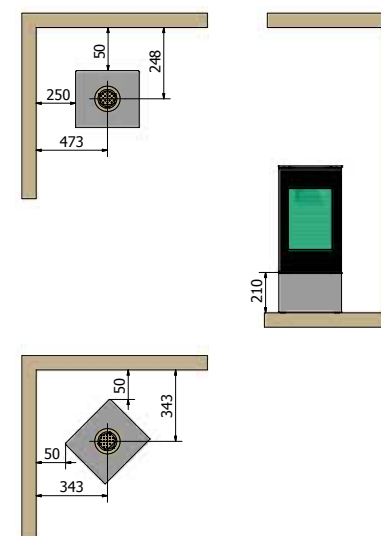
KEY FIGURES

Output (kW): Natural gas - G20 I2H/I2E	1,2 - 8,2 kW
Output (kW): Propane gas - G30/G31-I3B/P(30)	1,3 - 7,6 kW
Efficiency	78 %

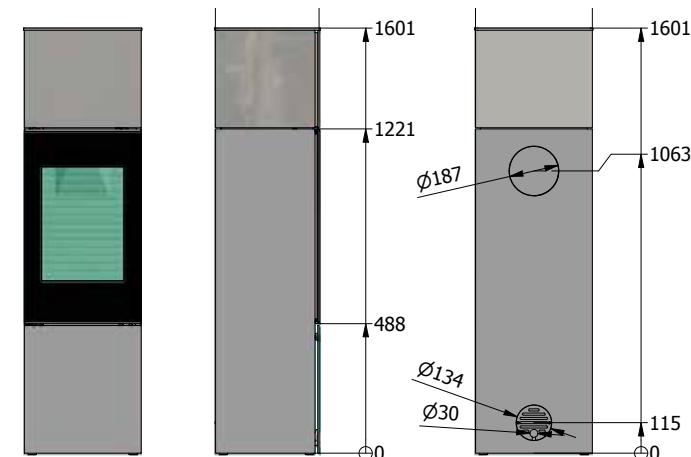
Weight:	166 kg
---------	--------

DISTANCE TO FLAMMABLE MATERIAL

To wall at side	250 mm
To rear wall	50 mm



A



RAIS NEXO 185 WITH SIDE GLASS

TECHNICAL DATA:

DIMENSIONS (W-D-H)

Gas fireplace exterior dimensions	446-398-1861 mm
Combustion exhaust outlet (diameter)	Ø100-Ø150 mm
Distance from floor to centre combustion exhaust outlet top	1197 mm
Distance from floor to centre combustion exhaust outlet rear	1063 mm

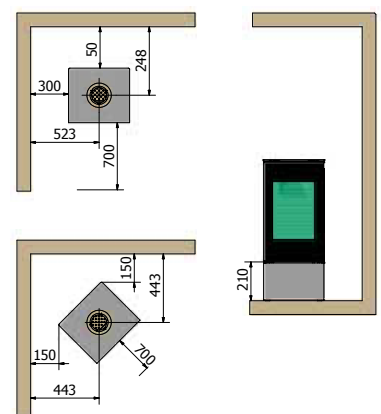
KEY FIGURES

Output (kW): Natural gas - G20 I2H/I2E	1,2 - 8,2 kW
Output (kW): Propane gas - G30/G31-I3B/P(30)	1,3 - 7,6 kW
Efficiency	78 %

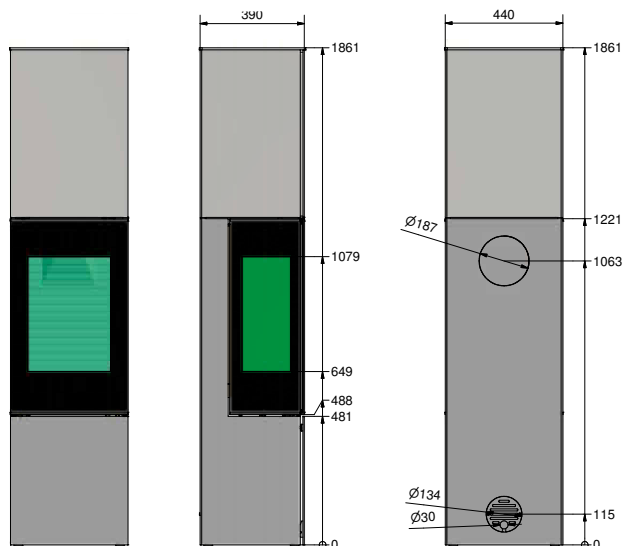
Weight:	190 kg
---------	--------

DISTANCE TO FLAMMABLE MATERIAL

To wall at side	300 mm
To rear wall	50 mm



A



RAIS NEXO 185 WITHOUT SIDE GLASS

TECHNICAL DATA:

DIMENSIONS (W-D-H)

Gas fireplace exterior dimensions	446-398-1861 mm
Combustion exhaust outlet (diameter)	Ø100-Ø150 mm
Distance from floor to centre combustion exhaust outlet top	1197 mm
Distance from floor to centre combustion exhaust outlet rear	1063 mm

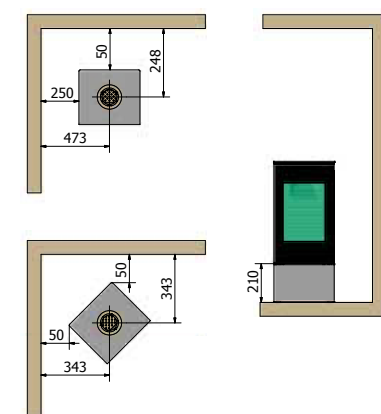
KEY FIGURES

Output (kW): Natural gas - G20 I2H/I2E	1,2 - 8,2 kW
Output (kW): Propane gas - G30/G31-I3B/P(30)	1,3 - 7,6 kW
Efficiency	78 %

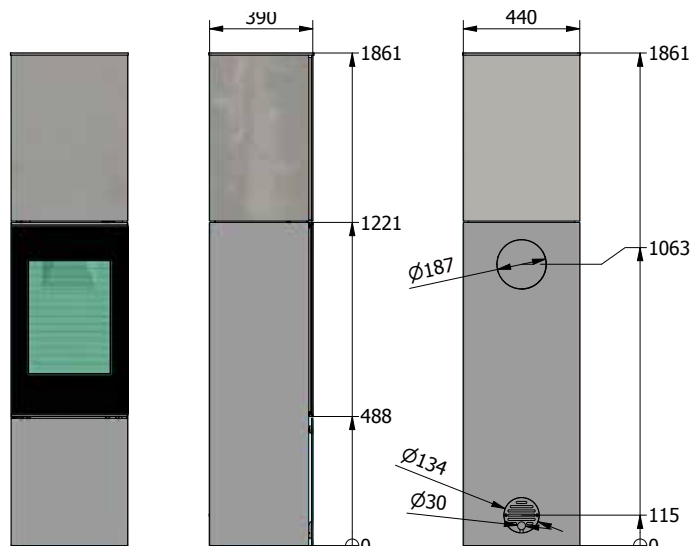
Weight:	190 kg
---------	--------

DISTANCE TO FLAMMABLE MATERIAL

To wall at side	250 mm
To rear wall	50 mm



A



RAIS Q-TEE 2C WITHOUT BASE

TECHNICAL DATA:

DIMENSIONS (W-D-H)

Gas fireplace exterior dimensions	656-479-603 mm
Combustion exhaust outlet (diameter)	Ø100/Ø150 mm
Distance from floor to centre combustion exhaust outlet top	603 mm
Distance from floor to centre combustion exhaust outlet rear	475 mm

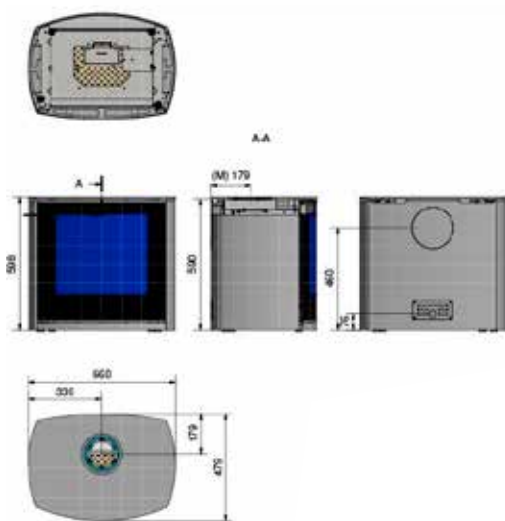
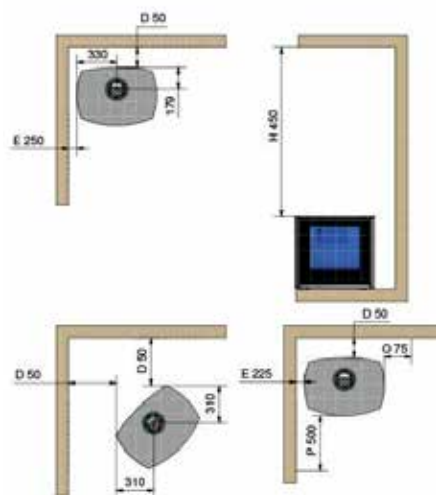
KEY FIGURES

Output (kW): Natural gas - G20 I2H/I2E	1,2 - 8,2 kW
Output (kW): Propane gas - G30/G31-I3B/P(30)	1,3 - 7,6 kW
Efficiency	78 %

Weight: 117 kg

DISTANCE TO FLAMMABLE MATERIAL

To wall at side	250 mm
To rear wall	50 mm



A

RAIS Q-TEE 2C WITH BASE

TECHNICAL DATA:

DIMENSIONS (W-D-H)

Gas fireplace exterior dimensions	656-479-603 mm
Combustion exhaust outlet (diameter)	Ø100/Ø150 mm
Distance from floor to centre combustion exhaust outlet top	603 mm
Distance from floor to centre combustion exhaust outlet rear	475 mm

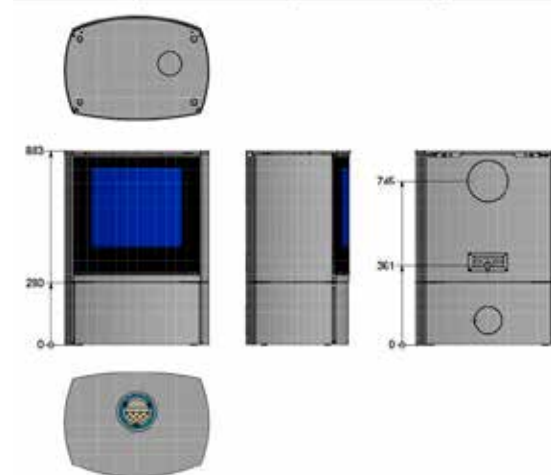
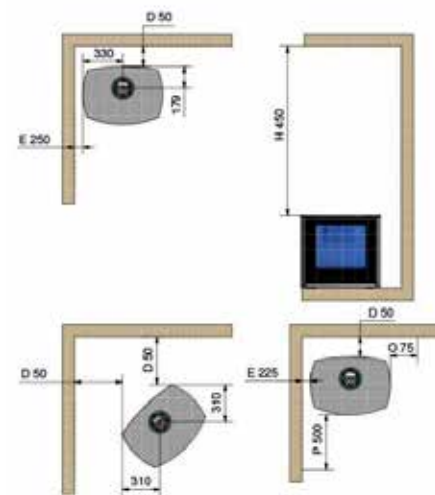
KEY FIGURES

Output (kW): Natural gas - G20 I2H/I2E	1,2 - 8,2 kW
Output (kW): Propane gas - G30/G31-I3B/P(30)	1,3 - 7,6 kW
Efficiency	78 %

Weight: 117 kg

DISTANCE TO FLAMMABLE MATERIAL

To wall at side	250 mm
To rear wall	50 mm



A

RAIS Q-TEE 2C WITH LEGS

TECHNICAL DATA:

DIMENSIONS (W-D-H)

Gas fireplace exterior dimensions	656-479-603 mm
Combustion exhaust outlet (diameter)	Ø100/Ø150 mm
Distance from floor to centre combustion exhaust outlet top	603 mm
Distance from floor to centre combustion exhaust outlet rear	475 mm

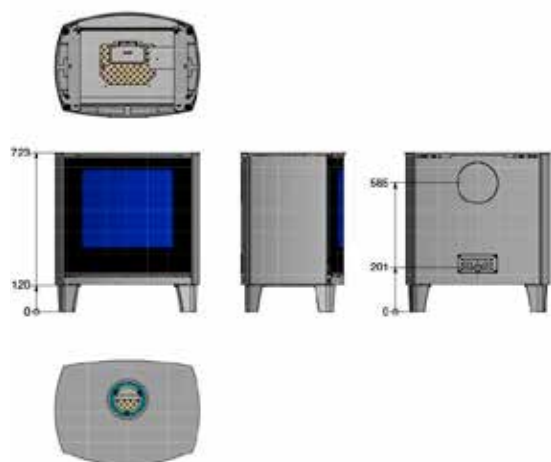
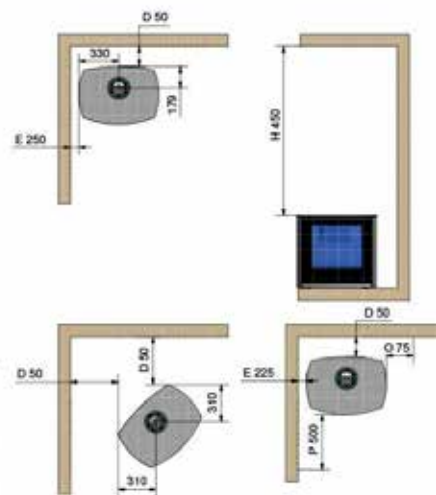
KEY FIGURES

Output (kW): Natural gas - G20 I2H/I2E	1,2 - 8,2 kW
Output (kW): Propane gas - G30/G31-I3B/P(30)	1,3 - 7,6 kW
Efficiency	78 %

Weight: 117 kg

DISTANCE TO FLAMMABLE MATERIAL

To wall at side	250 mm
To rear wall	50 mm



A

RAIS Q-TEE 2 WITHOUT LEGS

TECHNICAL DATA:

DIMENSIONS (W-D-H)

Gas fireplace exterior dimensions	582-410-598 mm
Combustion exhaust outlet (diameter)	Ø100/Ø150 mm
Distance from floor to centre combustion exhaust outlet top	446-277-265 mm
Distance from floor to centre combustion exhaust outlet rear	590 mm

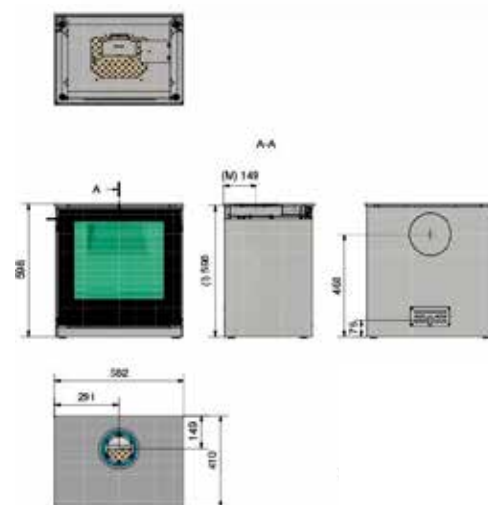
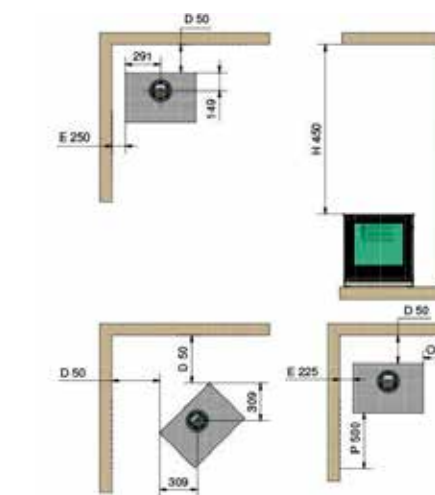
KEY FIGURES

Output (kW): Natural gas - G20 I2H/I2E	1,2 - 8,2 kW
Output (kW): Propane gas - G30/G31-I3B/P(30)	1,3 - 7,6 kW
Efficiency	78 %

Weight: 78 kg

DISTANCE TO FLAMMABLE MATERIAL

To wall at side	250 mm
To rear wall	50 mm



A

RAIS Q-TEE 2 WITH BASE

TECHNICAL DATA:

DIMENSIONS (W-D-H)

Gas fireplace exterior dimensions	582-410-983 mm
Combustion exhaust outlet (diameter)	Ø100-Ø150 mm
Distance from floor to centre combustion exhaust outlet top	983 mm
Distance from floor to centre combustion exhaust outlet rear	845 mm

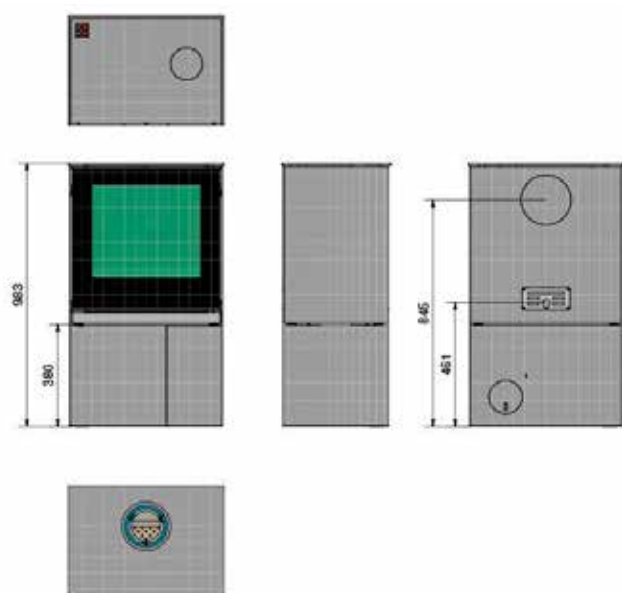
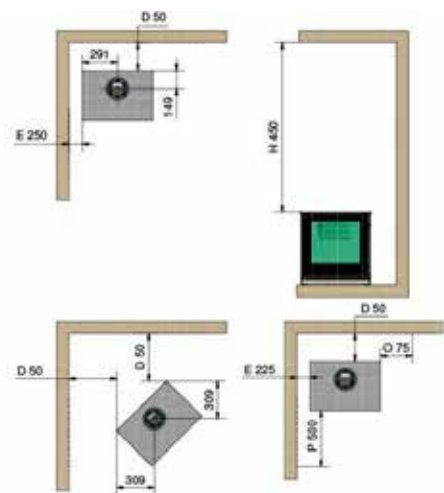
KEY FIGURES

Output (kW): Natural gas - G20 I2H/I2E	1,2 - 8,2 kW
Output (kW): Propane gas - G30/G31-I3B/P(30)	1,3 - 7,6 kW
Efficiency	78 %

Weight:	78 kg
---------	-------

DISTANCE TO FLAMMABLE MATERIAL

To wall at side	250 mm
To rear wall	50 mm



A

RAIS Q-TEE 2 WITH LEGS

TECHNICAL DATA:

DIMENSIONS (W-D-H)

Gas fireplace exterior dimensions	Ø100-Ø150 mm
Combustion exhaust outlet (diameter)	Ø100-Ø150 mm
Distance from floor to centre combustion exhaust outlet top	761 mm
Distance from floor to centre combustion exhaust outlet rear	623 mm

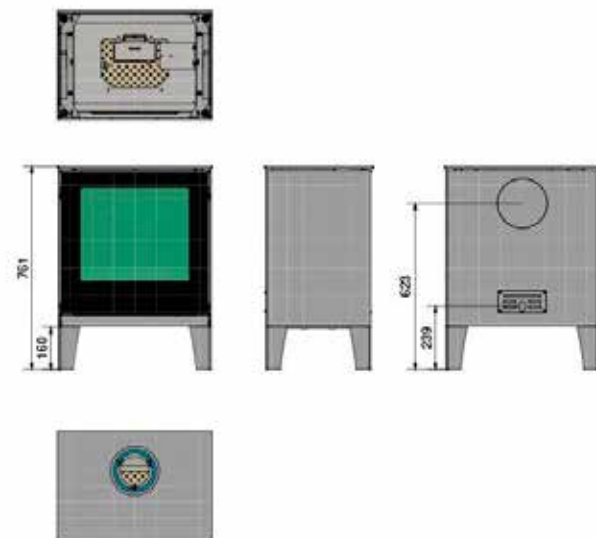
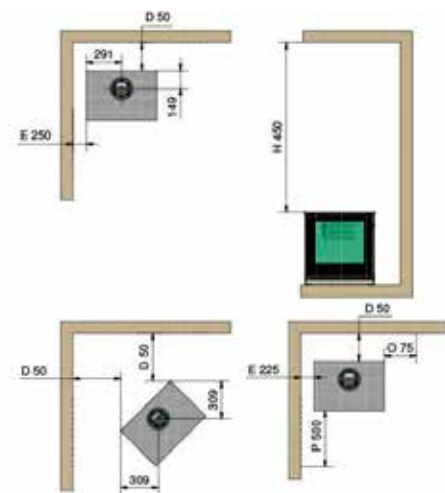
KEY FIGURES

Output (kW): Natural gas - G20 I2H/I2E	1,2 - 8,2 kW
Output (kW): Propane gas - G30/G31-I3B/P(30)	1,3 - 7,6 kW
Efficiency	78 %

Weight:	78 kg
---------	-------

DISTANCE TO FLAMMABLE MATERIAL

To wall at side	250 mm
To rear wall	50 mm

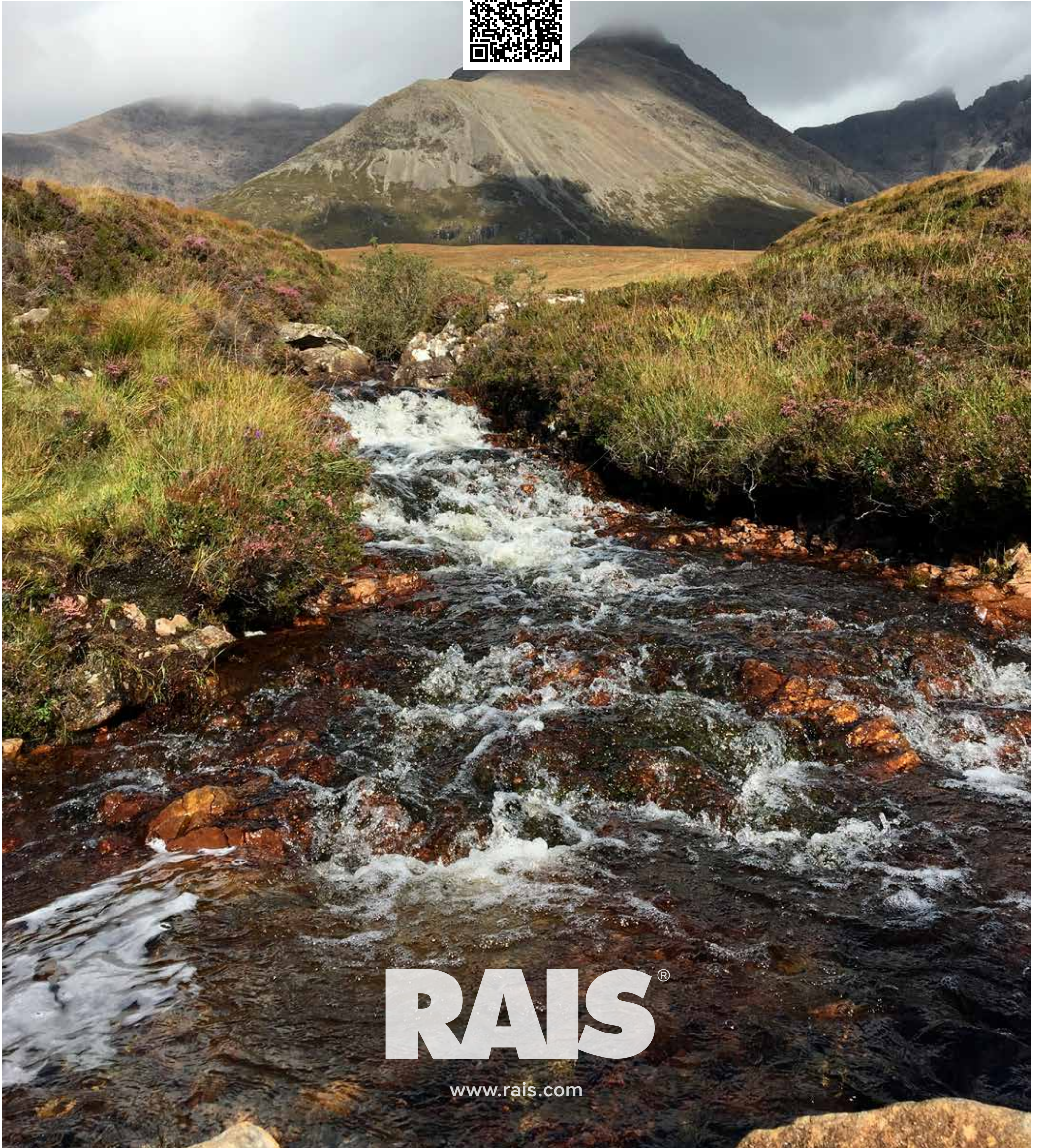


A

Specifications, colours and equipment are all subject to change as a result of our ongoing development of technology. Errors in the text, data and photos reserved.



TO FIND OUT MORE ABOUT RAIS GAS FIREPLACES, VISIT:



RAIS[®]

www.rais.com

facebook

Instagram

Pinterest